

STERIS Product Parts Buyer's Guide

Scientific




Most Frequently
Requested Service
Parts for
STERIS Equipment

STERIS®



Dear Valued Customer . . .

This Quick Reference Parts Guide was developed to assist you in identifying the most frequently requested STERIS service part numbers. In the event that the part number you wish to order is not found in this booklet, please reference the model and serial number when requesting support. To assist you, we have included the location of the model/serial number tag on each illustration, denoted by “⊗”. This tag resembles the figure below.

 STERIS®		LISTED   A-0114165140	
AMPS	<input type="text"/>	VOLTS	<input type="text"/>
KWS	<input type="text"/>	MODEL	<input type="text"/>
HERTZ	<input type="text"/>	SER. NO.	<input type="text"/>
PHASE	<input type="text"/>	<input type="text"/>	

STERIS's customer support 800 number is on each illustrated page.

Space is provided on the back cover for listing your STERIS equipment.

Table of Contents

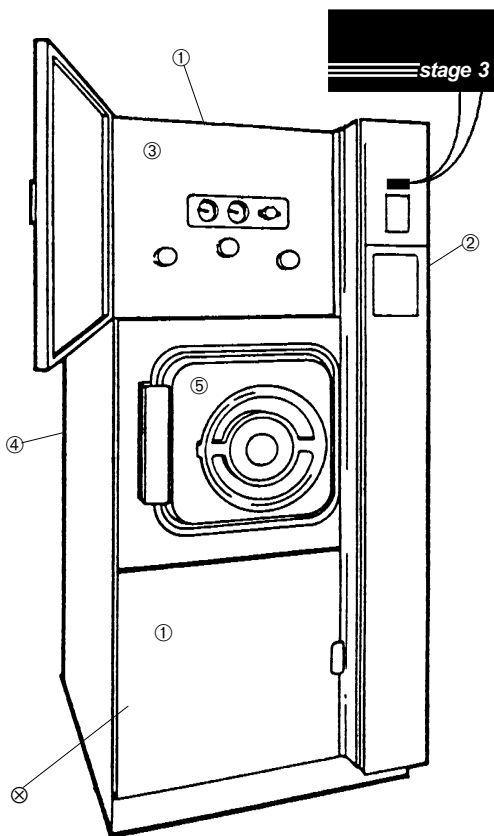
Standard Steam Sterilizers	1
3000 Gravity/Vacuum Stage 3 – 3011, 3021, 3013, 3023 .	3
3000 Vacamatic Medium Stage 3 – 3033, 3043, 3053	7
3000 G.P. Medium Stage 3 – 3031, 3041, 3051	11
3000 Vacamatic Medium Stage 2 – 3033, 3043, 3053	15
3000 Gravity Medium Stage 2 – 3031, 3041, 3051	17
3000 G.P. Small Stage 2 – 3011, 3021	19
PowerWedge Door	21
Century Series - Gravity G116, G120	23
Century Series - Prevacuum V116, V120	27
System 2S/LAB90	31
Standard Steam Generators	25
20 KW-AS Series Solid State (Electro Steam)	37
20 KW-CHS Series Solid State (Chromalox)	39
30 KW-AS Series (w/Anti-Flood) (Electro Steam)	41
30 KW-CHS Series (w/Anti-Flood) (Chromalox)	43
30 KW-CHS Series Stage 3 (Chromalox)	45
30 KW-CHS Series Century (Chromalox)	47
10 KW (CH02) thru 180 KW (CH14) -CES Series (Stand Alone Chromalox)	49
Stainless Steel Steam Generators	55
20 KW-AS Series Solid State – Electro Steam	57
20 KW-CHS Series Solid State – Chromalox	59
30 KW-AS Series (w/Anti-Flood) – Electro Steam	61
30 KW-CHS Series (w/Anti-Flood) – Chromalox	63
30 KW-CHS Series Stage 3 – Chromalox	65
30 KW-CHS Series Century – Chromalox	67
10 KW (CH02) thru 180 KW (CH14) CES Series – Stand Alone Chromalox	69
Water Level Sightglass Assembly	75

Washing (Reliance)	77
Reliance 300 Washer - Steam Heated	79
Reliance 300 Washer - Electric Heated	81
Reliance 370 Lab Washer	83
Reliance 400 Glassware Washer - Manual Door/Power Door	85
Reliance 500 Glassware Washer - Manual Door/Power Door	87
Reliance 470/570 Lab Washer	91
Reliance 650 Washer	93
Reliance 150 Washer	95
Reliance 475/575 Lab Dryer	97
Reliance 1024/1034 Lab Dryer	99
Washing (Basil)	101
3000 Betterbuilt Unit	103
Model 3500 Cage & Bottle Washer	105
RW4250 Cage & Rack Washer	107
Model 4600 Cage & Rack Washer	109
4800 Automated Cart Washer	111
5000 Glassware Washer	113
6007 Tunnel Cage Washer	115
Two (2) Basket Bottle Wash Cart	115
Universal Wash Cart	115
Model 1000 Bottle Filler	115
VHP Decontaminators	117
VHP 1000	119
Miscellaneous	121
Eagle 3000 Stage 3 Control – 3150, 3300	123
Sterilizer Door Gasket Chart	124
Piping Parts –	
Worcester Pneumatic Valves & Repair Kits	126
Bauman (P.I.D.) Control Valves & Repair Parts	128
2000 Series Burkert Valves & Actuator Repair Parts ..	129
Jordan Pressure Regulating Valves	132
Small and Medium Sterilizers Vacuum	
Breakers/Repair Kits	134
Miscellaneous Category	135

Standard Steam Sterilizers

NOTE: The parts informations in this section are for small and medium industrial sterilizers using standard healthcare sterilizer components.

For Parts Ordering: 1-800-333-8828



⊗ Model and Serial Number Tag
(Located behind panel, under chamber,
on left vertical support frame)

3000 Gravity/Vacuum Stage 3 3011, 3021, 3013, 3023

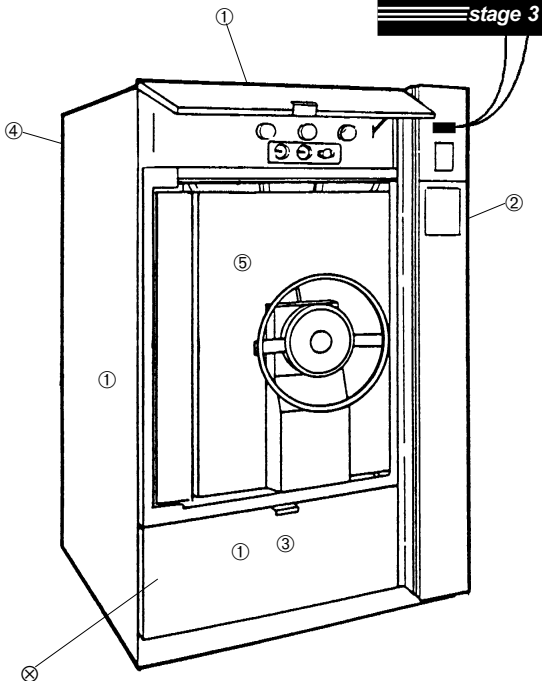
DESCRIPTION	PARTNUMBER
Piping	
① Chamber, Drain Screen (Not Shown)	P-56396-427
Check, Valve, 3/4 NPT (Swing)	P-150828-444
Check, Valve, 1/4 NPT (Swing)	P-10278-091
Check, Valve, 3/4 NPT (Poppet)	P-83870-001
Check, Valve, 1/2 NPT (Swing)	P-150828-442
Check, Valve, 1/2 NPT (Swing)	P-150822-354
Check, Valve, 3/8 NPT (Swing)	P-5424-091
Ejector, Water (Vac Only)	P-51616-091
Ejector, Steam, 3/4 NPS x 1/2 NPT	P-129360-779
Filter, Air, 1/2 NPT	P-93909-592
Element	P-129360-802
Flow, Control Valve, Gravity, 7/8 ODT	P-83629-001
Flow, Control Valve, 1/8 NPT	P-83630-001
Flow, Control Valve, 1/4 NPT (Constant Bleed—Slow Exhaust)	P-83523-001
Jacket, Water Sensor	P-93911-355
Valve, Multiport	P-136807-139
Valve, Manual Steam, 3/8 NPT	P-56401-088
Valve, Manual Water, 3/4 NPT	P-56401-096
Nozzle—Gravity Only	P-93911-393
Gauge, Chamber	P-90525-091
Gauge Jacket	P-90730-091
Valve, Pressure Regulator 3/8 NPT	P-20661-091
Kit, Repair	P-754359-001
Valve, Relief 1/2" NPT 40 psig	P-150828-473
Valve, Sol., 3/4" (Steam to Chamber)	P-93911-329
Kit, Repair	P-764324-895
Coil	P-764323-941
Valve, Sol., 3/8" (Steam to Chamber)	P-93910-650
Kit, Repair	P-764317-687
Coil	P-764323-941
Valve, Sol., 3/4" (Fast Exhaust S3)	P-93910-477
Kit, Repair (Steam to Ejector S5)	P-764070-001
Coil	P-764323-941
Valve, Sol., 3/4" (Vacuum Water)	P-93911-328
Kit, Repair	P-764072-001
Coil	P-764323-940
Valve, Sol., 1" (Trap Cooling Water)	P-93911-327
Kit, Repair	P-764071-001
Coil	P-764324-600
Valve, Sol., 1/8" (Multiport Shutoff)	P-93911-364
Kit, Repair	P-764324-090
Coil	P-764323-940
Strainer, 1" (Water)	P-51850-091
Strainer, 1/2" (Steam)	P-150828-459
Strainer, 3/8"	P-47671-091
Temperature, Probe	P-93911-351

Continued on Page 5

DESCRIPTION**PART NUMBER**

Transducer—Gravity	P-93909-644
Transducer—Vacuum	P-93910-580
Trap, 1/2" (Jacket, Chamber)	P-129222-001
Kit, Repair	see page 134
Vacuum, Breaker 3/4" (Water)	P-77023-001
Kit, Repair	see page 134
Funnel, Waste	P-141198-006
Control	
② Fuse, 1-1/2 Amp Power Supply	P-764317-821
Supply, Power	P-93910-541
Fuse, 3 Amp	P-764317-778
Panel, Touch	P-136806-685
Switch, Printer, Function	P-93908-901
Spool (Paper Take-up)	P-93910-248
Paper, Roll (Box of 5 Rolls)	P-129359-008
Printer (Only)	P-755716-005
Display	P-93908-435
Motor, Gear	P-93909-399
Speaker	P-93910-540
Switch, Micro	P-129359-463
Main Power Switch Assembly	
③ Switch, Rocker (Main Power)	P-93902-846
Filter, Line	P-93910-584
Fuse, 5 Amp	P-764317-463
Non-operating End Control Panel (Double Door Only)	
④ Gauge, Pressure, Chamber	P-90525-091
Module, Display	P-93908-435
Panel, Touch	P-136806-685
Speaker	P-93910-540
Door	
⑤ Gasket, Door (3011, 3013)	P-74367-091
Gasket, Door (3021, 3023)	P-78767-091
Gasket, Diaphragm	P-7753-091
Diaphragm	P-7230-061

For Parts Ordering: 1-800-333-8828



- ⊗ Model and Serial Number Tag
(Located behind panel, under chamber,
on left vertical support frame)

3000 Vacumatic Medium Stage 3 3033, 3043, 3053

DESCRIPTION	PARTNUMBER
Piping	
① Chamber Drain Screen (Not Shown)	P-48733-042
Check Valve 3/8" (Swing)	P-5424-091
Check Valve 3/4" (Poppet)	P-83870-001
Check Valve 1/2" (Swing)	P-150822-354
Ejector - Water 3/4"	P-51616-091
Ejector - Steam 1/2"	P-129360-779
Filter Air 1/2"	P-93909-592
Element	P-129360-802
Flow Control 1/8"	P-83630-001
Flow Control 1/4"	P-83523-001
Flow Control 7/8" ODT	P-83629-001
Flow Control 3/8"	P-83256-001
Heat Exchanger	P-56396-939
Jacket, Water Sensor	P-93911-355
Valve, Multiport - Manual	P-136807-139
Manual Valves 3/4"	P-56401-096
Pressure Gauge - Chamber	P-90525-091
Pressure Gauge - Jacket	P-90730-091
Valve, Pressure Regulator Steam 3/4"	P-22429-091
Kit, Repair	P-754359-003
Valve, Safety 1", 40 psig	P-150828-478
Valve, Sol. 3/4" (Filtered Air)	P-93911-329
Kit, Repair	P-764324-895
Coil	P-764323-941
Valve, Sol. 1" (Stm to Chmbr) (Stm to Jacket)	P-93911-331
Kit, Repair	P-764317-688
Coil	P-764323-941
Valve, Sol. 1" (Fast Exh/Main Water)	P-93911-327
Kit, Repair	P-764071-001
Coil	P-764324-600
Valve, Sol. 3/4" (Exh Cooling/Vacuum Water)	P-93911-328
Kit, Repair	P-764072-001
Coil	P-764323-940
Valve, Sol. 3/4" (Stm to Ejector)	P-93910-477
Kit, Repair	P-764070-001
Coil	P-764323-941
Valve, Sol. 1/8" (Multiport Shutoff)	P-93911-364
Kit, Repair	P-764324-090
Coil	P-764323-940
Strainer 1" (Water)	P-51850-091
Strainer 1" (Steam)	P-129362-472
Strainer 3/4" (Jacket Drain)	P-41389-091
Temperature Probe	P-93911-351
Transducer, Pressure	P-93910-580
Trap (Chamber, Jacket) 1/2"	P-129222-001
Kit, Repair	P-764080-001
Vacuum Breaker (Water) 3/4"	P-77023-001
Kit, Repair	see page 134
Funnel Waste	P-141198-004

Continued on Page 9

DESCRIPTION**PART NUMBER****Control**

②	Fuse, 1-1/2 Amp Power Supply	P-764317-821
	Supply, Power	P-93910-541
	Fuse, 3 Amp	P-764317-778
	Panel, Touch	P-136806-685
	Switch, Printer, Function	P-93908-901
	Spool (Paper Take-up)	P-93910-248
	Paper, Roll (Box of 5 Rolls)	P-129359-008
	Printer (Only)	P-755716-005
	Display	P-93908-435
	Motor, Gear	P-93909-399
	Speaker	P-93910-540
	Switch, Micro	P-129359-463

Main Power Switch Assembly

③	Switch, Rocker (Main Power)	P-93902-846
	Filter, Line	P-93910-584
	Fuse, 5 Amp	P-764317-463

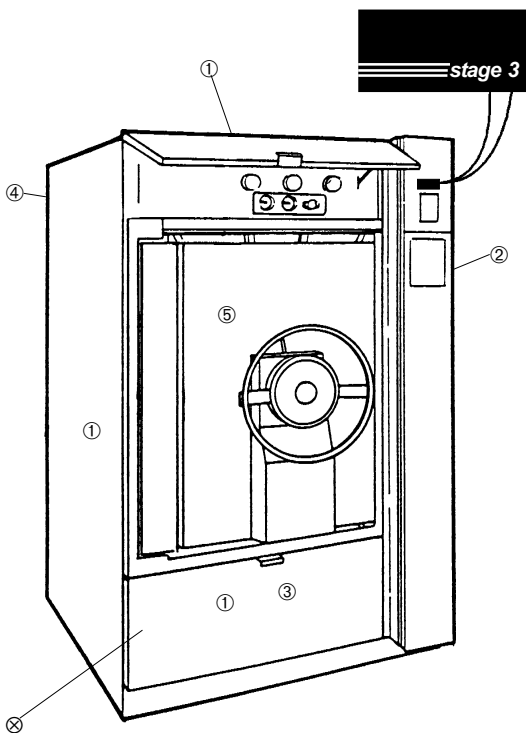
Non-operating End Control Panel (Double Door Only)

④	Gauge, Pressure, Chamber	P-90525-091
	Module, Display	P-93908-435
	Panel, Touch	P-136806-685
	Speaker	P-93910-540

Door

⑤	Gasket, Door	P-97487-091
	Gasket, Diaphragm	P-7753-091
	Diaphragm	P-7230-061

For Parts Ordering: 1-800-333-8828



⊗ Model and Serial Number Tag
(Located behind panel, under chamber,
on left vertical support frame)

3000 G.P. Medium Stage 3 3031, 3041, 3051

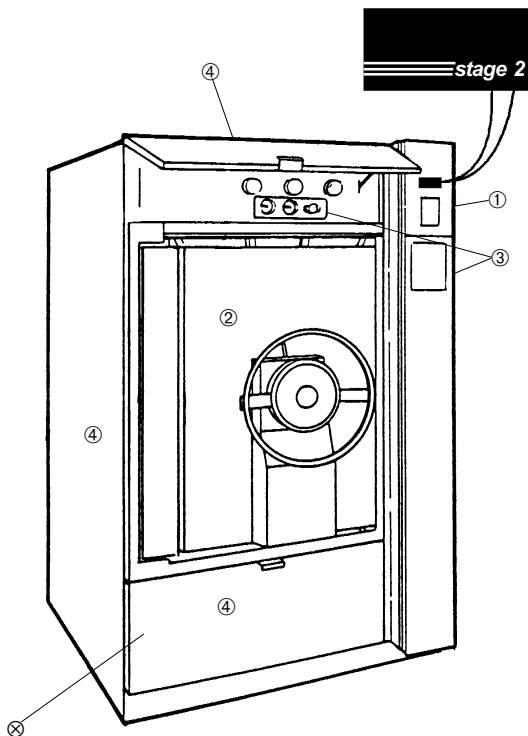
DESCRIPTION	PARTNUMBER
Piping	
① Chamber, Drain Screen (Not Shown)	P-48733-042
Check Valve, 3/4" NPT (Poppet)	P-83870-001
Check Valve, 3/8" NPT (Swing)	P-5424-091
Check Valve, 1/2" NPT (Swing)	P-150822-354
Ejector, Steam, 3/4" NPS x 1/2" NPT	P-129360-779
Filter, Air, 1/2" NPT	P-93909-592
Element	P-129360-802
Flow Control, 1/8" NPT	P-83630-001
Flow Control, 1/4" NPT	P-83523-001
Flow Control, 3/8" NPT	P-83256-001
Jacket, Water Sensor	P-93911-355
Valve, Multiport - Manual	P-136807-139
Manual Valves 3/4"	P-56401-096
Pressure Gauge, Chamber	P-90525-091
Pressure Gauge, Jacket	P-90730-091
Valve, Pressure Regulator, Steam, 3/4"	P-22429-091
Kit, Repair	P-754359-003
Valve, (Safety), 1", 40 psig	P-150828-478
Valve, Sol., 1" (Steam-Chamber,) (Steam-Jacket)	P-93911-331
Kit, Repair	P-764317-688
Coil	P-764323-941
Valve, Sol., 3/4" (Fast Exhaust), (Steam to Ejector)	P-93910-477
Kit, Repair	P-764070-001
Coil	P-764323-941
Valve, Sol., 3/4" (Exhaust Cool.)	P-93911-328
Kit, Repair	P-764072-001
Coil	P-764323-940
Valve, Sol., 1" NPT, (Main Water)	P-93911-327
Kit, Repair	P-764071-001
Coil	P-764324-600
Valve, Sol., 1/8", (Multiport Shut-off)	P-93911-364
Kit, Repair	P-764324-090
Coil	P-764323-940
Strainer, 1" (Water)	P-51850-091
Strainer, 1" (Steam)	P-129362-472
Strainer, 3/4" (Jacket Drain)	P-41389-091
Temperature Probe	P-93911-351
Transducer, Pressure	P-93909-644
Trap, (Jacket, Chamber), 1/2" NPT	P-129222-001
Kit, Repair	P-764080-001
Vacuum Breaker, (Water), 3/4"	P-77023-001
Kit, Repair	see page 134
Funnel, Waste	P-141198-004
Control	
② Fuse, 1-1/2 Amp Power Supply	P-764317-821
Supply, Power	P-93910-541
Fuse, 3 Amp	P-764317-778
Panel, Touch	P-136806-685
Switch, Printer, Function	P-93908-901

Continued on Page 13

DESCRIPTION**PART NUMBER**

Spool (Paper Take-up)	P-93910-248
Paper, Roll (Box of 5 Rolls)	P-129359-008
Printer (Only)	P-755716-005
Display	P-93908-435
Motor, Gear	P-93909-399
Speaker	P-93910-540
Switch, Micro	P-129359-463
Main Power Switch Assembly	
③ Switch, Rocker (Main Power)	P-93902-846
Filter, Line	P-93910-584
Fuse, 5 Amp	P-764317-463
Non-operating End Control Panel (Double Door Only)	
④ Gauge, Pressure, Chamber	P-90525-091
Module, Display	P-93908-435
Panel, Touch	P-136806-685
Speaker	P-93910-540
Door	
⑤ Gasket, Door	P-97487-091
Gasket, Diaphragm	P-7753-091
Diaphragm	P-7230-061

For Parts Ordering: 1-800-333-8828

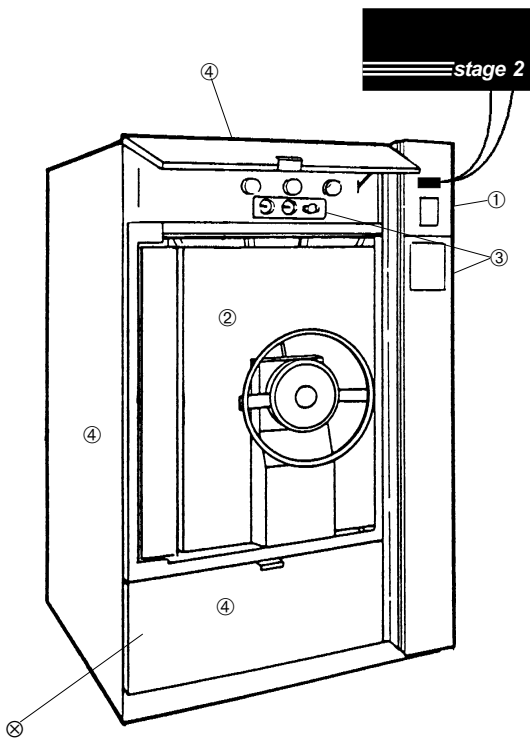


- ⊗ Model and Serial Number Tag
(Located behind panel, under chamber,
on left vertical support frame)

3000 Vacumatic Medium Stage 2 3033, 3043, 3053

DESCRIPTION	PARTNUMBER
Expendables	
① Maintenance Manual	P-764322-695
Equip. Manual	P-129359-452
Printer Paper	P-129359-008
Printer Kit	P-764324-604
Door Parts	
② GasketDoor 3033,3043,3053	P-97487-091
Diaphragm	P-7230-061
Diaphragm, Gasket	P-7753-091
Control Parts	
③ Fuse, 2 Amp, Slo-Blo F1	P-764317-449
Fuse, 1/4 Amp, Slo-Blo F2	P-764317-819
Fuse, 3 Amp, Fast-Blo F3	P-764317-778
Switch, Printer Function	P-93908-901
Switch, Control	P-93902-846
Relay CR3	P-93909-576
Chamber Gauge	P-90525-091
Jacket Gauge	P-90730-091
Temperature Probe	P-93908-517
Transducer	P-93908-907
Plumbing	
④ Hi-Low Valve, 3/4", Repair Kit	P-754359-003
Angle Valve 3/4"	P-754361-003
Trap, 1/2" NPT, Repair Kit	P-764080-001
Vacuum Breaker, Zurn 3/4"	P-77023-091
• Kit, Repair	see page 134
Safety Valve 40 PSIG	P-150828-476
Valve, Repair Kit S1	P-764078-001
Valve, Repair Kit S2	P-764317-688
Valve, Repair Kit S3	P-764071-001
Valve, Repair Kit S4, S7	P-764072-001
Valve, Repair Kit S5, S9	P-764070-001

For Parts Ordering: 1-800-333-8828

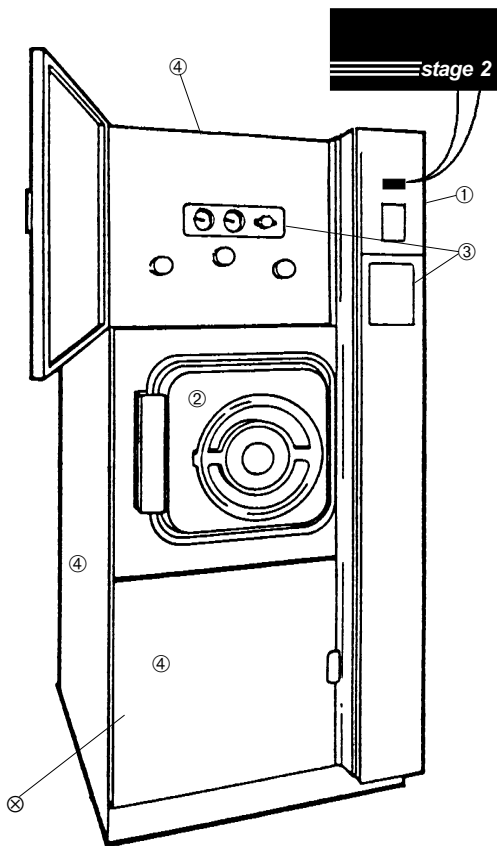


- ⊗ Model and Serial Number Tag
(Located behind panel, under chamber,
on left vertical support frame)

3000 Gravity Medium Stage 2 3031, 3041, 3051

DESCRIPTION	PARTNUMBER
Expendables	
① Maintenance Manual	P-764322-695
Equip. Manual	P-129359-452
Printer Paper	P-129359-008
Printer Kit	P-764324-604
Door Parts	
② GasketDoor 3031,3041,3051	P-97487-091
Diaphragm	P-7230-061
Diaphragm, Gasket	P-7753-091
Control Parts	
③ Fuse, 2 Amp, Slo-Blo F1	P-764317-449
Fuse, 1/4 Amp, Slo-Blo F2	P-764317-819
Fuse, 3 Amp, Fast-Blo F3	P-764317-778
Switch, Printer Function	P-93908-901
Switch, Control	P-93902-846
Relay CR3	P-93909-576
Chamber Gauge	P-90525-091
Jacket Gauge	P-90730-091
Temperature Probe	P-93908-517
Transducer	P-93908-907
Plumbing	
④ Hi-Low Valve, 3/4", Repair Kit	P-754359-003
Angle Valve 3/4"	P-754361-003
Trap, 1/2" NPT, Repair Kit	P-764080-001
Vacuum Breaker, Zurn 3/4"	P-77023-091
• Kit, Repair	see page 134
Safety Valve 40 PSIG	P-150828-476
Valve, Repair Kit S2	P-764317-688
Valve, Repair Kit S3, S5	P-764070-001
Valve, Repair Kit S4	P-764072-001

For Parts Ordering: 1-800-333-8828

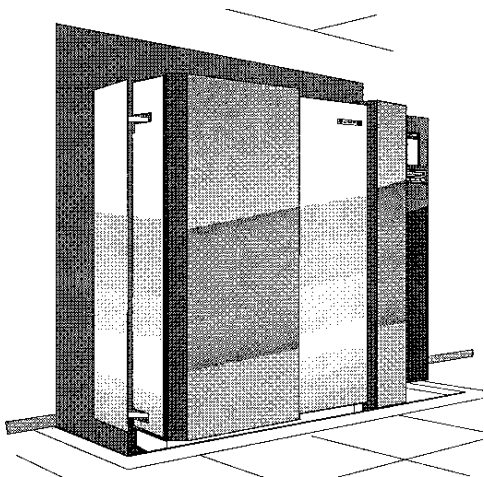


⊗ Model and Serial Number Tag
(Located behind panel, under chamber,
on left vertical support frame)

3000 G.P. Small Stage 2—3011, 3021

DESCRIPTION	PARTNUMBER
Expendables	
① Maintenance Manual	P-764322-693
Equip. Manual	P-129359-452
Printer Paper	P-129359-008
Printer Kit	P-764324-604
Door Parts	
② Gasket Door 3013 (16"x16")	P-74367-091
Gasket Door 3023 (20"x20")	P-78767-091
Diaphragm	P-7230-061
Diaphragm, Gasket	P-7753-091
Control Parts	
③ Fuse, 2 Amp, Slo-Blo F1	P-764317-449
Fuse, 1/4 Amp, Slo-Blo F2	P-764317-819
Fuse, 3 Amp, Fast-Blo	P-764317-778
Switch, Printer Function	P-93908-901
Switch, Control	P-93902-846
Relay CR1	P-93909-576
Chamber Gauge	P-90525-091
Jacket Gauge	P-90730-091
Temperature Probe	P-93908-517
Transducer	P-93908-907
Plumbing	
④ Hi-Low Valve, 3/8", Repair Kit	P-754359-001
Angle Valve 3/8", Repair Kit, Full Turn	P-754361-001
Angle Valve 3/4", Water, Repair Kit, Full Turn	P-754361-003
Trap, 1/2" NPT, Repair Kit	P-764080-001
Vacuum Breaker, Repair Kit (Sloan)	P-752735-091
Safety Valve 40 psig	P-150828-473
Valve, Repair Kit S2, S9	P-764317-687
Valve, Repair Kit S3, S5	P-764070-001
Valve, Repair Kit S4, S7	P-764072-001
Valve, Repair Kit S1	P-764078-001
Element, Filter, Air (Before 12/89)	P-23753-091
Element, Filter, Air (After 12/89)	P-129360-802
Vacuum Breaker, Repair Kit (Zurn)	P-764323-804

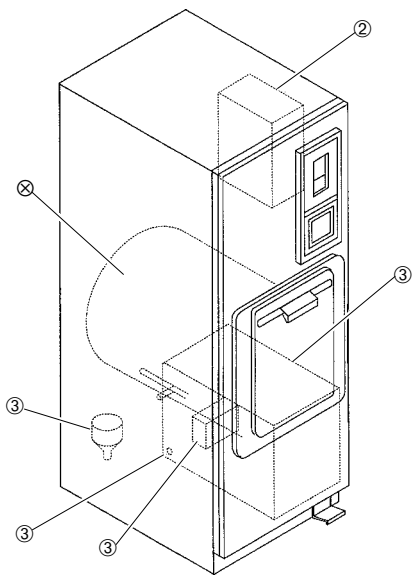
For Parts Ordering: 1-800-333-8828



Power Wedge Door (Units built since 1989)

DESCRIPTION	PART NUMBER
Hydraulic Components	
ACCUMULATOR, 10 cu.in.	P-764325-650
VALVE, P.O. Sandwich Check	P-764325-651
VALVE, 4-Way	P-764325-651
VALVE, Sandwich Flow Control	P-764325-655
VALVE, 4-Way	P-764325-736
VALVE, Sandwich Check	P-764325-737
VALVE, Sandwich Press. Red.	P-764325-657
SWITCH, Pressure, Type H100	P-764325-738
GAUGE, Pressure	P-764325-665
VALVE, Relief	P-764325-739
FILTER, Oil	P-134468-960
VALVE, Check	P-764323-360
MANIFOLD, w/Relief Cavity	P-764323-660
TANK, Motor and Pump, 1-1/2 gal	P-764325-740
HYDRO UNIT, Manual	P-764325-662
STARTER, w/Heater	P-764325-741
STRIP, Terminal	
RELAY, SPDT	P-764325-669
SOCKET, SP	P-764325-670
VALVE, Needle	P-764325-659
ELEMENT	P-764323-136

For Parts Ordering: 1-800-333-8828



- ⊗ Model and Serial Number Tag
(Located on exterior of the chamber,
behind panel)

Century Series - Gravity G116, G120

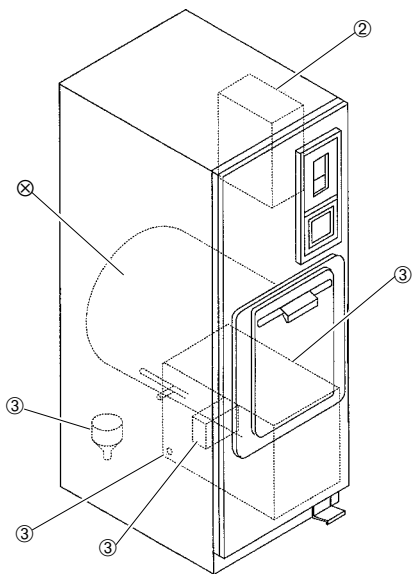
	DESCRIPTION	PARTNUMBER
Expendables		
①	Illustrated Parts Manual	P-129367-409
	Operating Instructions (Hospital)	P-129367-408
	Routine Maintenance Manual	P-129367-410
	Printer Paper (pkg. 3 rolls)	P-129362-819
	Printer Ribbon (pkg. 2)	P-150828-440
	Printer Assembly	P-93918-051
	Door Gasket, 16"	P-146660-159
	Door Gasket, 20"	P-146660-160
Control Parts		
②	Control Board (unprogrammed); see Note below	
	Control Board (old)	P-146656-185
	• Chip Sets	
	• Vac	P-755716-379
	• Grav	P-755716-380
	• Vac/Liq	P-755716-381
	• Grav/Liq	P-755716-382
	Control Board (new)	P-146659-069
	• Chip Sets	
	• Vac	P-755716-713
	• Grav	P-755716-714
	• Vac/Liq	P-755716-715
	• Grav/Liq	P-755716-716
	Battery, Smart	P-93915-047
	RTD Assembly	P-93911-351
	Switch, Rocker	P-93911-576
	Transducer Assembly	P-136809-787
Plumbing		
③	Hi-Low Valve Repair Kit, 3/8"	P-754359-001
	Valve, Supply, 1/2" Manual Steam	P-93918-065
	Valve, Supply, 3/4" Manual Water	P-93918-066
	Valve, Safety, 50 psig	P-93918-013
	Valve, Repair Kit, S36 (double door only)	P-764076-001
	P.M. Pack, Double Door Manifold	P-764326-486
	• Repair Kit, S38	P-764326-479
	• Repair Kit, CK7, FC3	P-764326-485
	Seat Package, S38, CK7, FC3	P-764326-487
	P.M. Pack, Steam Manifold	P-764326-475
	• Repair Kit, S1	P-764326-477
	• Repair Kit, S2, S9	P-764326-478
	• Repair Kit, S35	P-764326-479
	Seat Package, S1, S-2, S-9, S35	P-764326-476
	P.M. Pack, Exhaust Manifold	P-764326-480
	• Repair Kit, S3	P-764326-482
	• Repair Kit, S40	P-764326-483
	• Repair Kit, S37	P-764326-479
	• Repair Kit, CK4, CK6, FC2	P-764326-485
	• Repair Kit, CK8	P-764326-484

NOTE: P-146656-185 and P-146659-069 Control Boards are unprogrammed.
Must reuse existing chips or order new chip sets.

Continued on Page 25

Cap Only for TR1	P-764326-641
Seat Package, S3, S40, S37, CK4, CK6, CK8, FC2	P-764326-481
P.M. Pack, Water Manifold	P-764326-619
• Repair Kit, S4, S7	P-764326-621
• Repair Kit, CK5	P-764326-622
Seat Package, S4, S7, CK5	P-764326-620
P.M. Pack, Miscellaneous	P-764326-646
• Air Filter	P-129360-802
• F3 Fuse, 5 A	P-764317-463
• F1, F2 Fuse, 4 A, 250 V	P-764317-825
• TR1, TR2 (two required)	P-764080-001
• CK1, CK2, CK3 (three required)	P-150822-354
• CK14, 1/4"	P-10278-091

For Parts Ordering: 1-800-333-8828



⊗ Model and Serial Number Tag
(Located on exterior of the chamber,
behind panel)

Century Series - Prevacuum V116, V120

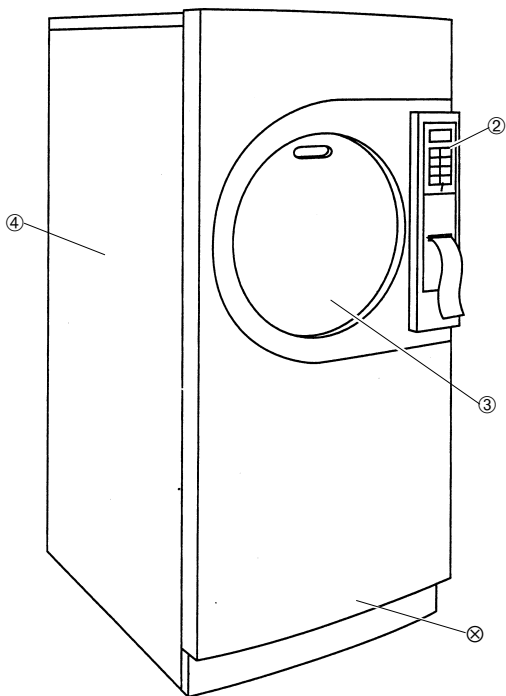
	DESCRIPTION	PARTNUMBER
Expendables		
①	Illustrated Parts Manual	P-129367-409
	Operating Instructions (Hospital)	P-129367-408
	Routine Maintenance Manual	P-129367-410
	Printer Paper (pkg. 3 rolls)	P-129362-819
	Printer Ribbon (pkg. 2)	P-150828-440
	Printer Assembly	P-93918-051
	Door Gasket, 16"	P-146660-159
	Door Gasket, 20"	P-146660-160
Control Parts		
②	Control Board (unprogrammed); see Note below	
	Control Board (old)	P-146656-185
	• Chip Sets	
	• Vac	P-755716-379
	• Grav	P-755716-380
	• Vac/Liq	P-755716-381
	• Grav/Liq	P-755716-382
	Control Board (new)	P-146659-069
	• Chip Sets	
	• Vac	P-755716-713
	• Grav	P-755716-714
	• Vac/Liq	P-755716-715
	• Grav/Liq	P-755716-716
	Battery, Smart	P-93915-047
	RTD Assembly	P-93911-351
	Switch, Rocker	P-93911-576
	Transducer Assembly	P-136809-787
Plumbing		
③	Hi-Low Valve Repair Kit, 3/8"	P-754359-001
	Valve, Supply, 1/2" Manual Steam	P-93918-065
	Valve, Supply, 3/4" Manual Water	P-93918-066
	Valve, Safety (50 psig)	P-93918-013
	Valve, Repair Kit, S36 (double door only)	P-764076-001
	P.M. Pack, Double Door Manifold (dbl. dr. only)	P-764326-486
	• Repair Kit, S38	P-764326-479
	• Repair Kit, CK7, FC3	P-764326-485
	Seat Package, S38, CK7, FC3	P-764326-487
	P.M. Pack, Steam Manifold	P-764326-475
	• Repair Kit, S1	P-764326-477
	• Repair Kit, S2, S9	P-764326-478
	• Repair Kit, S35	P-764326-479
	Seat Package, S1, S-2, S-9, S35	P-764326-476
	P.M. Pack, Exhaust Manifold	P-764326-480
	• Repair Kit, S3	P-764326-482
	• Repair Kit, S40	P-764326-483
	• Repair Kit, S37	P-764326-479
	• Repair Kit, CK4, CK6, FC2	P-764326-485
	• Repair Kit, CK8	P-764326-484

NOTE: P-146656-185 and P-146659-069 Control Boards are unprogrammed.
Must reuse existing chips or order new chip sets.

Continued on Page 29

Cap Only for TR1	P-764326-641
Seat Package, S3, S40, S37, CK4, CK6, CK8, FC2	P-764326-481
P.M. Pack, Water Manifold	P-764326-619
• Repair Kit, S4, S7	P-764326-621
• Repair Kit, CK5	P-764326-622
Seat Package, S4, S7, CK5	P-764326-620
P.M. Pack, Miscellaneous	P-764326-646
• Air Filter	P-129360-802
• F3 Fuse, 5 A	P-764317-463
• F1, F2 Fuse, 4 A, 250 V	P-764317-825
• TR1, TR2 (two required)	P-764080-001
• CK1, CK2, CK3 (three required)	P-150822-354
• CK14, 1/4"	P-10278-091

For Parts Ordering: 1-800-333-8828



⊗ Serial Number Tag Location

System 2S / LAB90

	DESCRIPTION	PARTNUMBER
Expendables		
①	Maintenance Manual	P-764328-730
	Operating Manual 2S Domestic	P-129376-140
	Operating Manual 2S International	P-129376-195
	Operating Manual Lab90 English/French	P-129376-141
	Operating Manual Lab 90 English/Spanish	P-129376-142
	Operating Manual Lab 90 English/German	P-129376-143
	Operating Manual Lab90 English/Italian	P-129376-144
	Printer Paper (pkg of 3)	P-129362-819
	Printer Ribbon (pkg of 2)	P-150828-440
	Printer Assembly	P-093918-051
Controls		
②	Board - Control (unprogrammed)	P-146665-002
	• Relay Solid State I.C. U38 thru U45, U59, U60 (1 amp)	P-129361-870
	• Relay P.C. REL3 (12 volt)	P-129375-021
	• Battery Back Ram	P-093915-047
	• Fuse - F1 thru F10 (630 mA)	P-129376-188
	Panel Touch (Domestic)	P-136817-017
	Panel Touch (International)	P-136817-019
	Switch - Power Control	P-136817-009
	Transducer (Chamber/Jacket)	P-093910-580
	RTD Dual (Chamber) RTD #1	P-093922-107
	• Compression Ftg. for RTD Dual	P-129376-095
	RTD Generator RTD #2	P-093922-069
	Switch Temperature (Drain)	P-093922-191
	Switch Temperature (Generator)	P-093922-105
Doors		
③	Gasket - Door	P-146665-001
	Switch - Door	P-093909-954
Plumbing		
④	Kit - Repair Water Press. Regulator	P-764328-811
	Valve Supply 1/2" Manual (Water)	P-093910-480
	Valve Supply 1/4" Manual (Exh. By Pass)	P-093918-212
	Valve Safety 1/2" 50 psig (Domestic)	P-093918-013
	Valve Safety 1/2" 50 psig (International)	P-093918-511
	Valve Repair Kit** (S-40) Lab90 only	P-764329-159
	PM Pack, Solenoid Valves	P-764328-854
	• Repair Kit S1	P-764328-740
	• Repair Kit S2, S35, S37	P-764328-732
	• Repair Kit S3	P-764328-738
	• Repair Kit S7, S50	P-764328-736

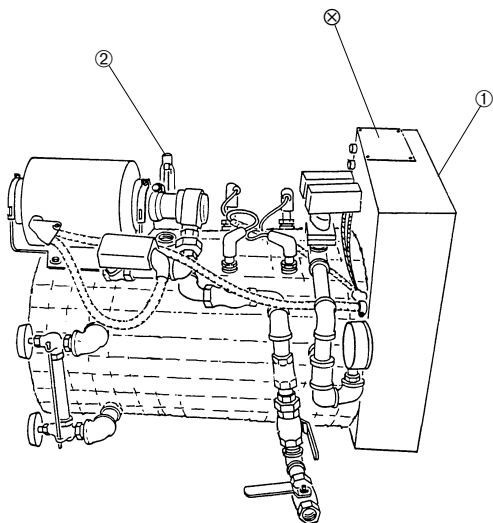
** NOTE: S40 Repair Kit is not included in PM Pack P-764328-854.
Complete Solenoid Valve (must be ordered separately)
P-136817-038.

Continued on Page 33

PM Pack, Trap, Check Valves	P-764328-855
• Check Valve 1/4" CK1, CK2 (filter air/jkt. trap)	P-129376-130
• Check Valve 3/8" CK3 (door seal)	P-005424-091
• Check Valve 1/4" CK4 (drain)	P-150829-501
• Check Valve 1/4" CK5 (jacket)	P-010278-091
• Repair Kit O-ring/Check Valve (metering pump)	P-764328-731
• Repair Kit Trap 1/2" TR1 (jacket)	P-762326-001
PM Pack, Miscellaneous	P-764328-856
• Air Filter Cartridge	P-101006-172
• Ribbon - Printer (box of 2)	P-150828-440
• Filter - Water Cartridge (Particle)	P-056401-903
• Filter - Water Cartridge (R.O.) (2)	P-056401-905
• Filter - Water Cartridge (Ion Ex. Resin) (6)	P-056401-907

Standard Steam Generators

For Parts Ordering: 1-800-333-8828



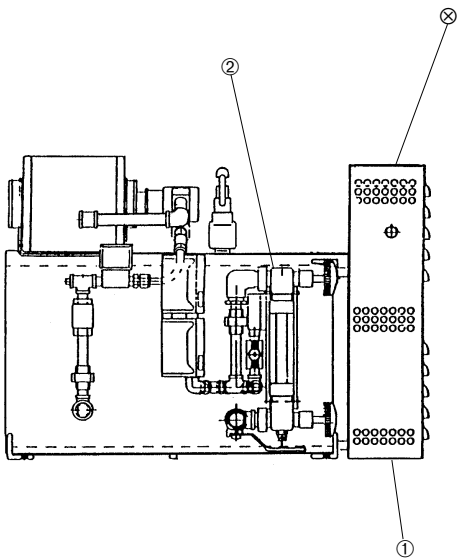
⊗ Model and Serial Number Tag

20 KW-AS Series Solid State (Electro Steam)

DESCRIPTION	PARTNUMBER
Controls	
① Printed Circuit Board — sn/27871 and Lower	P-764322-032
Printed Circuit Board — sn/27872 and Higher	P-755715-735
Relay, Plug In	P-84413-001
Contactor, 60 Amp	P-759748-001
Contactor, 50 Amp	P-759747-001
Capacitor, .47 µnd, 600VDC	P-764320-233
Fuse, 10 Amp	P-764323-556
Fuse, 1 Amp	P-764317-462
Resistor, 150 W, 1/2 Watt	P-93811-043
Heater, 208/240V and 360/415V, 6.5 KW (w/gasket*) ...	P-764319-903
Heater, 380V, 6.5 KW (w/gasket)	P-764321-665
Heater, 440V, 6.5 KW (w/gasket)	P-764319-916
Gasket, Heater (Set of 3)	P-764317-713
Plumbing	
② Motor	P-764323-487
Pump, (1.7 GPM)	P-764319-902
Switch, Pressure (Operating/Hi-Limit)	P-764319-305
Switch, Pressure, w/Manual Reset (Hi-Limit)	P-764320-389
Valve, Check	P-764320-492
Valve, Solenoid, Water	P-764319-693
• Kit, Repair	P-764321-247
Sightglass Assembly	see pgs 74/75
Valve, Flo-Control, (2 GPM)	P-76044-091
Electrode, Spark Plug	P-150828-208
Valve, Safety	P-764323-459
Valve, Ball	P-764321-222
Valve, Top, Sight Glass	P-764320-899
Valve, Bottom, Sight Glass	P-764320-900
Electrode Rods (Set of 4)	P-764316-748
Valve, Ball, Union	P-764317-863
Automatic Flush and Drain Kit	P-764328-028

* Star strapping allows for 380/415V applications

For Parts Ordering: 1-800-333-8828



⊗ Model and Serial Number Tag

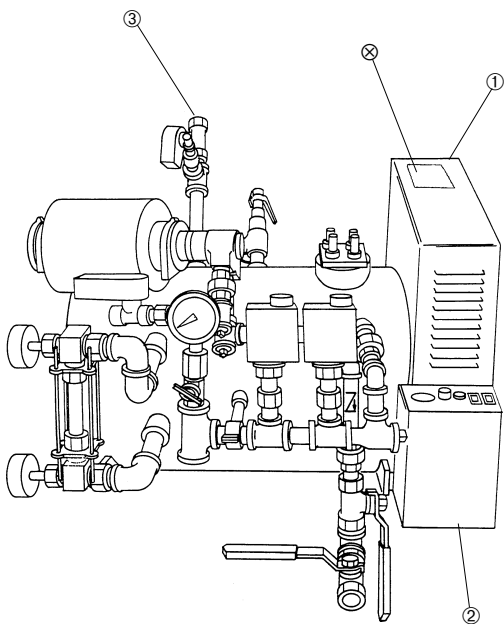
20 KW - CHS Series Solid State (Chromalox)

DESCRIPTION	PARTNUMBER
Controls	
① Printed Circuit Board (Curtis DLA), before date code 0011P**	P-764329-567
• Relay, Plug In	P-764322-763
Board, Printed Circuit (Warrick), before date code 245LP**	P-764329-567
• Relay, Pump Motor	P-764328-068
Board, Printed Circuit (Warrick), after date code 245LP	P-764328-355
• Contactor, Pump Motor	P-764326-233
Relay (1CR)	P-764323-557
Relay (2CR) *	P-41293-091
Resistor	P-764323-341
Contactor, 50 A	P-759747-001
Fuse, 10 A (box of 5)	P-764323-556
Terminal Block, Power Distribution	P-764323-446
Terminal Block, Power Distribution (3 req'd.)*	P-764323-641
Terminal Block, Eng (1 req'd)*	P-764323-640
Terminal Block, Control Circuit	P-150461-001
Heater, 208/240V (w/Gasket)	P-764325-727
Heater, 380/415V (w/Gasket)	P-764326-982
Heater, 440V (w/Gasket)	P-764325-726
Gasket, Heater	P-764323-527
Plumbing	
② Motor	P-764323-487
Pump (.48 GPM)	P-764323-551
Switch, Pressure (Operating)	P-764323-470
Switch, Pressure, w/Manual Reset (Hi-Limit)	P-764323-471
Valve, Check	P-764321-287
Valve, Solenoid, Water	P-764323-548
• Kit, Repair	P-764323-595
Valve, Safety, 100 PSI	P-764323-459
Valve, Ball, 1/2"	P-764323-514
Valve, Ball, 1/4"	P-764326-576
Valve, Flo-control (1 GPM)	P-49337-091
Sightglass Assembly	see pgs 74/75
Electrode, Spark Plug (before date code 303IP)	P-764323-515
Electrode Rods (set of 2) (before date code 303IP)	P-764323-596
Electrode Set (after date code 303IP)	P-764328-316
Set contains each of the following:	
• Water Level	P-755716-254
• Low Water Cutoff	P-755716-255
Tube, Isolator	P-764323-325
Automatic Flush and Drain Kit	P-764328-028

*for 380/415V units only

** identify board manufacturer prior to ordering

For Parts Ordering: 1-800-333-8828



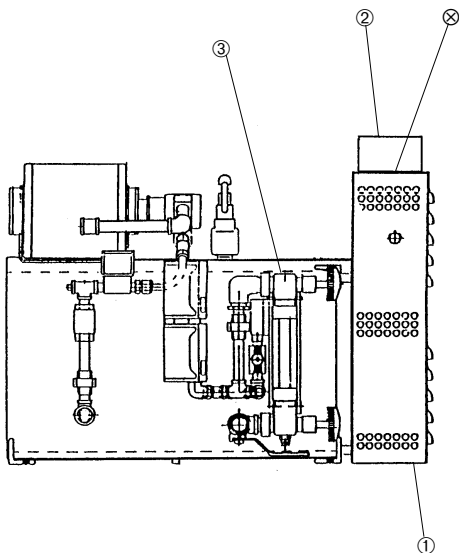
⊗ Model and Serial Number Tag

30 KW - AS Series (w/Anti-Flood) (Electro Steam)

DESCRIPTION	PARTNUMBER
Controls	
① Printed Circuit Board (Water Level Control)	P-755715-735
Relay, Plug-in	P-84413-001
Contactors, 50 A	P-759747-001
Fuse, 10 A (box of 5)	P-764323-556
Fuse, 1 A (box of 5)	P-764317-462
Heater, 208/240V & 380/415V, 9.75KW (w/Gasket)*	P-764322-460
Heater, 440V, 9.75 KW (w/Gasket)	P-764322-882
Gasket, Heater (set of 3)	P-764317-713
Resistor	P-129318-001
Controls-Anti-flood	
② Fuse, 1/4 A (box of 10)	P-764317-819
Relay	P-129360-019
Printed Circuit Board (Anti-Flood)	P-764322-896
Switch, Pushbutton	P-764322-899
Light (box of 10)	P-764317-708
Plumbing	
③ Motor, 115/230V, 50/60 Hz	P-764323-487
Pump (1.7 gpm)	P-764319-902
Switch, Pressure (Operating/Hi-Limit)	P-764319-305
Switch, Pressure, w/Manual Reset (Hi-Limit)	P-764320-389
Valve, Check	P-764320-492
Valve, Solenoid, Water	P-764319-693
• Repair Kit	P-764321-247
Valve, Solenoid, Steam	P-101006-805
• Repair Kit	P-764324-556
Valve, Safety	P-764323-459
Valve, Ball	P-764321-222
Valve, Ball, Union	P-764317-863
Valve, Flo-Control (2 gpm)	P-76044-091
Sightglass Assembly	see pgs 74/75
Electrode, Spark Plug	P-756383-091
Electrode Rods (set of 4)	P-764316-748
Automatic Flush and Drain Kit	P-764328-028

* Star strapping allows for 380/415V applications

For Parts Ordering: 1-800-333-8828



⊗ Model and Serial Number Tag

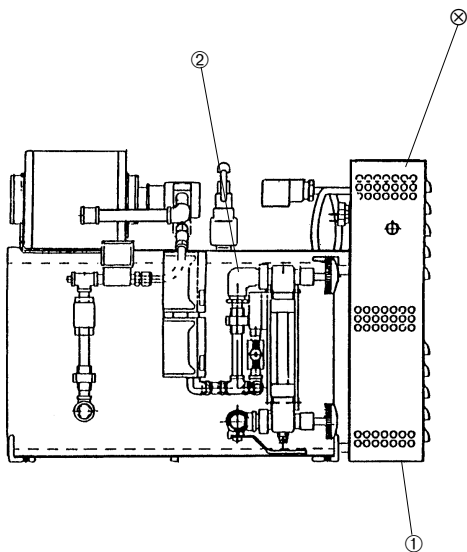
30 KW - CHS Series (w/Anti-Flood) (Chromalox)

DESCRIPTION	PARTNUMBER
Controls	
① Printed Circuit Board (Curtis DLA), before date code 0011P**	P-764329-567
• Relay, Plug In	P-764322-763
Board, Printed Circuit (Warrick), before date code 245LP**	P-764329-567
• Relay, Pump Motor	P-764328-068
Board, Printed Circuit (Warrick), after date code 245LP	P-764328-355
• Contactor, Pump Motor	P-764326-233
Relay (1CR)	P-764323-557
Relay (2CR) *	P-41293-091
Resistor	P-764323-341
Contactor, 50A	P-759747-001
Fuse, 10 A (box of 5)	P-764323-556
Terminal Block, Power Distribution	P-764323-446
Terminal Block, Power Distribution (3 req'd.)*	P-764323-641
Terminal Block, Eng (1 req'd)*	P-764323-640
Terminal Block, Control Circuit	P-150461-001
Heater, 208/240V (w/Gasket)	P-764323-549
Heater, 380/415V (w/Gasket)	P-764323-639
Heater, 440V (w/Gasket)	P-764323-550
Gasket, Heater	P-764323-527
Controls - Anti-Flood	
② Fuse .8 Amp	P-764323-554
Relay, Plug In	P-764323-553
Board, Printer Circuit (Anti-Flood)	P-764323-552
Switch, Pushbutton	P-764323-326
Light, Amber	P-764323-328
Light, Green	P-764323-329
Plumbing	
③ Motor, 115/230V, 50/60 Hz	P-764323-487
Pump (.48 GPM)	P-764323-551
Switch, Pressure (Operating)	P-764323-470
Switch, Pressure, w/Manual Reset (Hi-Limit)	P-764323-471
Valve, Check	P-764321-287
Valve, Solenoid, Water	P-764323-548
• Kit, Repair	P-764323-595
Valve, Solenoid, Steam	P-101006-805
• Kit, Repair	P-764324-556
Valve, Safety	P-764323-459
Valve, Ball, 1/2"	P-764323-514
Valve, Ball, 1/4"	P-764326-576
Valve, Flo-control (1 gpm)	P-49337-091
Sightglass Assembly	see pgs 74/75
Electrode, Spark Plug (before date code 303IP)	P-764323-515
Electrode Rods (set of 2) (before date code 303IP)	P-764323-596
Electrode, Spark Plug (High Water)	P-764323-515
Electrode Set (after date code 303IP)	P-764328-316
Set contains each of the following:	
• Water Level	P-755716-254
• Low Water Cutoff	P-755716-255
Tube, Isolator	P-764323-325
Automatic Flush and Drain Kit	P-764328-028

*for 380/415V units only

**identify board manufacturer prior to ordering

For Parts Ordering: 1-800-333-8828



⊗ Model and Serial Number Tag

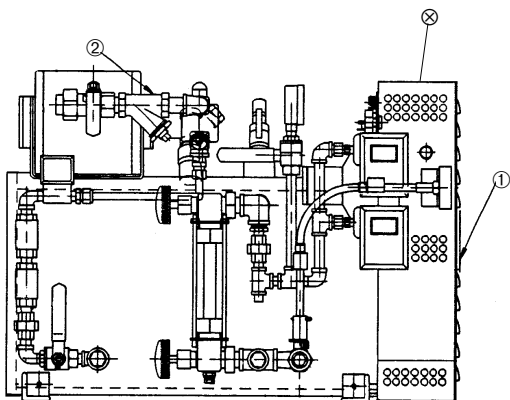
30 KW - CHS Series Stage 3 (Chromalox)

DESCRIPTION	PARTNUMBER
Controls	
① Connector (S09A)	P-755716-068
Connector (S09)	P-764325-684
Printed Circuit Board (Curtis DLA), before date code 0011P**	P-764329-567
• Relay, Plug In	P-764322-763
Board, Printed Circuit (Warrick), before date code 245LP**	P-764329-567
• Relay	P-764328-068
Board, Printed Circuit (Warrick), after date code 245LP	P-764328-355
• Contactor, Pump Motor	P-764326-233
Relay (1CR)	P-764323-557
Relay (2CR) *	P-41293-091
Resistor	P-764323-341
Contactor, 50 A	P-759747-001
Fuse, 10 A (box of 5)	P-764323-556
Terminal Block, Power Distribution	P-764323-446
Terminal Block, Power Distribution (3 req'd.)*	P-764323-641
Terminal Block, Eng (1 req'd)*	P-764323-640
Terminal Block, Control Circuit	P-150461-001
Heater, 208/240V (w/Gasket)	P-764323-549
Heater, 380/415V (w/Gasket)	P-764323-639
Heater, 440V (w/Gasket)	P-764323-550
Gasket, Heater	P-764323-527
Plumbing	
② Motor, 115/230V, 50/60 Hz	P-764323-487
Pump (.48 GPM)	P-764323-551
Switch, Pressure (Operating)	P-764323-470
Switch, Pressure, w/Manual Reset (Hi-Limit)	P-764323-471
Valve, Check	P-764321-287
Valve, Solenoid, Water	P-764323-548
• Kit, Repair	P-764323-595
Valve, Safety	P-764323-459
Valve, Ball, 1/2"	P-764323-514
Valve, Ball, 1/4"	P-764326-576
Valve, Flo-control (1 GPM)	P-49337-091
Sightglass Assembly	see pgs 74/75
Electrode, Spark Plug (before date code 303IP)	P-764323-515
Electrode Rods (set of 2) (before date code 303IP)	P-764323-596
Electrode Set (after date code 303IP)	P-764328-316
Set contains each of the following:	
• Water Level	P-755716-254
• Low Water Cutoff	P-755716-255
Tube, Isolator	P-764323-325
Automatic Flush and Drain Kit	P-764328-028

*for 380/415V units only

** identify board manufacturer prior to ordering

For Parts Ordering: 1-800-333-8828



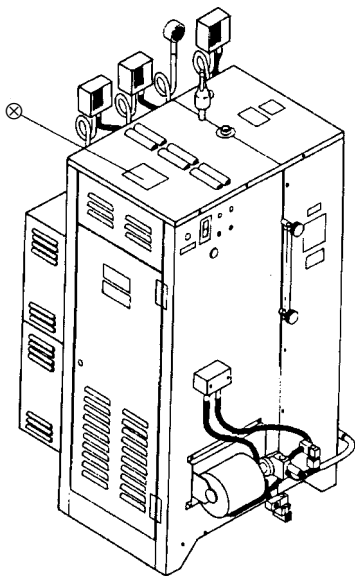
⊗ Model and Serial Number Tag

30 KW - CHS Series Century (Chromalox)

DESCRIPTION	PARTNUMBER
Controls	
① Connector (AUS)	P-764325-684
Connector (P100)	P-93909-232
Printed Circuit Board, before date code 245LP	P-764329-567
• Relay, Pump Motor	P-764328-068
Printer Circuit Board, after date code 245LP	P-764328-355
Contactors, Pump Motor	P-764326-233
Relay (1CR)	P-764323-557
Relay (2CR) *	P-41293-091
Resistor	P-764323-341
Contactors, 50 A	P-759747-001
Fuse, 10 A (box of 5)	P-764323-556
Terminal Block, Power Distribution	P-764323-446
Terminal Block, Power Distribution (3 req'd.)*	P-764323-641
Terminal Block, Eng (1 req'd)*	P-764323-640
Terminal Block, Control Circuit	P-150461-001
Heater, 208V (units after date code 304LP)	P-764328-020
Heater, 208/240V (w/gasket)	P-764323-549
Heater, 380/415V (w/gasket)	P-764323-639
Heater, 440V (w/gasket)	P-764323-550
Gasket, Heater	P-764323-527
Plumbing	
② Motor, 115/230V, 50/60 Hz	P-764323-487
Pump (.48 GPM)	P-764323-551
Switch, Pressure (Operating)	P-764323-470
Switch, Pressure, w/Manual Reset (Hi-Limit)	P-764323-471
Valve, Check	P-764321-287
Valve, Solenoid, Water	P-764323-548
• Kit, Repair	P-764323-595
Valve, Safety	P-764323-459
Valve, Ball, 1/2"	P-764323-514
Valve, Ball, 1/4"	P-764326-576
Valve, Union Ball, 1/2"	P-93910-480
Valve, Strainer	P-129357-906
• Screen	P-764320-891
• O-Ring	P-764326-727
Valve, Flo-control (1 GPM)	P-49337-091
Sightglass Assembly	see pgs 74/75
Electrode Set (after date code 303IP)	P-764328-316
Set contains each of the following:	
• Water Level	P-755716-254
• Low Water Cutoff	P-755716-255
Tube, Isolator	P-764323-325
Automatic Flush and Drain Kit	P-764328-028

*for 380/415V units only

For Parts Ordering: 1-800-333-8828



⊗ Model and Serial Number Tag

10 KW (CH02) thru 180 KW (CH14) CES Series (Stand Alone Chromalox)

DESCRIPTION	PARTNUMBER
Valves and Gauges	
Ball Valve, Water Supply, 1/2"	P-764323-514
Ball Valve, Pressure Gauge, 1/4"	P-764323-428
Ball Valve, Water Column Drain, 3/4"	P-764316-938
Ball Valve, Blow Down, 1"	P-764323-429
Pressure Gauge, 0-160 psi	P-750467-091
Pressure Gauge, 9-100 psi, Liquid Filled	P-764325-974
Solenoid Valve, 3/4" NPT (Steam)	P-101006-806
• Kit, Repair	P-764324-417
Solenoid Valve, 1" NPT (Steam)	P-764323-703
• Kit, Repair	P-117951-000
Solenoid Valve, 1/2" NPT (Water)	P-764323-319
• Kit, Repair	P-764323-599
Check Valve, 1/2"	P-764320-492
Water Level Sightglass Assemblies	see pgs 74/75
Safety Valves	
100 psig, 1/2" CH02 thru CH08	P-764323-459
100 psig, 3/4" CH10 thru CH14	P-764323-460
Pressure Controls	
Pressure Control, Operating, 10-100 psi	P-764323-470
Pressure Control, Hi-Limit, Manual Reset	P-764323-471
Siphon Tube for Pressure Controls	P-764323-476
Water Feed	
Pump and Motor (30KW thru 75KW) -	
• Motor Only (1/3 HP) *	P-764323-489
• Pump Only (1.7 gpm)	P-764319-902
• Clamp	P-764323-491
Water Inlet Flow Resistor (2 gpm)	P-46996-091
Pump and Motor (100KW thru 180KW) -	
• Motor Only (1/2 HP) *	P-764326-373
• Pump Only (3.2 gpm)	P-764323-486
• Clamp	P-764323-491
Water Inlet Flow Resistor (3.5 gpm)	P-764326-193
Strainer, 1/2" NPT, 300 psi	P-764323-482
Hose Assembly, 18" Long	P-764323-493
Hose Adapter, 3/8 NPT (Swivel)	P-764323-495
Hose Adapter, 1/2 NPT (Swivel)	P-764323-496
Control	
Warrick Series 16 Water Level Control Board (before date code 001IP)**	P-764329-567
Replacement Relay	P-764328-068
Curtis DLA Water Level Control Board (before date code 001IP)**	P-764329-567
Replacement Relay	P-764322-763
Warrick Anti-Flood Control Board (before date code 001IP)	P-764323-552

* Originally, 10KW thru 75KW units used 1/4 HP motor and 100KW thru 180KW units used 1/3 HP motor.

** identify board manufacturer prior to ordering

Controls (Cont'd.)

Relay, Plug-In, Anti-Flood Control (after date code 0011P) (2CR)	P-764323-553
Relay, Control (before date code 0011P)	P-764323-557
Relay, Heavy Duty, 220V Pump	P-41293-091
Warrick Water Level/Anti-Flood/Control Board (after date code 0011P)	P-764326-194
Relay, Lavado (after date code 0011P) (1CR)	P-764326-233
Auxiliary Low Water Cutoff Board	P-764325-530
Electrode Set, CH02/CH04, includes the following:	P-764328-317
• Water Level	P-755716-256
• Low Water Cutoff	P-755716-257
• Auxiliary Low Water Cutoff	P-755716-257
Electrode Set, CH05/CH08, includes the following:	P-764328-318
• Water Level	P-755716-257
• Low Water Cutoff	P-755716-258
• Auxiliary Low Water Cutoff	P-755716-259
Electrode Set, CH10/CH14, includes the following:	P-764328-319
• Water Level	P-755716-258
• Low Water Cutoff	P-755716-260
• Auxiliary Low Water Cutoff	P-755716-261
Electrode (Spark Plug) Anti-Flood (after NB-5424)	P-764325-503
Electrode (Spark Plug) Anti-Flood (before NB-5424) ...	P-764323-515
Electrode Boot	P-764326-926

Miscellaneous Parts

On-Off Switch with Pilot Light	P-764323-522
Fuse Control Circuit, 15 A (box of 5)	P-764323-523
Fuse Control Circuit, 1-1/4 A (box of 5)	P-764317-837
Fuse, Transformer, .6 A (box of 10)	P-764326-874
Control Circuit Terminal Block, 4 Pole	P-764323-538
Fuse Holder	P-764323-525
Pushbutton, N.C.	P-764323-326
Pushbutton, N.O. (after 1/93)	P-78481-091
Door Switch, Interlock	P-764325-508
Pilot Light, Amber	P-764323-328
Pilot Light, Green	P-764323-329
Transformer, 220/480V - 120V (.1 KVA)	P-764326-132
Isolator Tube, CH02 thru CH04	P-764323-338
Isolator Tube, CH05 thru CH08	P-764324-730
Isolator Tube, CH10 thru CH14	P-764324-732
Wire Heater #6	P-764326-679
Wire Heater #8	P-764326-680
Wire Heater #10	P-764326-681
Terminal, Heater Wire #6	P-764326-885
Terminal, Heater Wire #8	P-764327-768
Terminal, Heater Wire #10	P-764326-920

Contactors, Fusable

30 A w/35-60 A, 600V Block	P-764323-432
40 A w/35-60 A, 600V Block	P-764323-433
50 A w/35-60 A, 600V Block	P-764323-434

Contactors, Non-Fusible

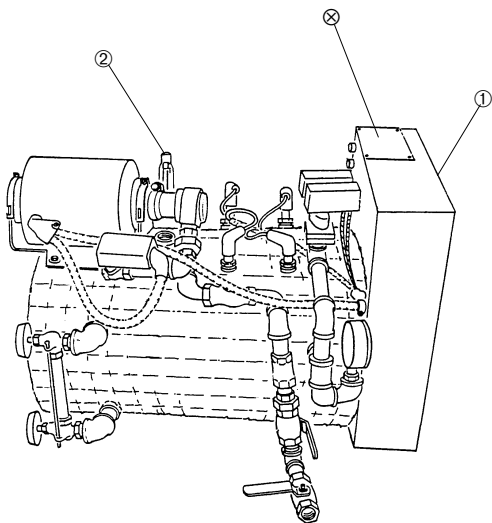
40 A, 120V, 2 Pole	P-764323-334
40 A, 120V, 3 Pole	P-759746-001
40 A, 120V, 4 Pole	P-764323-336
50 A, 120V, 2 Pole	P-764323-335
50 A, 120V, 3 Pole	P-759747-001
50 A, 120V, 4 Pole	P-764323-337

60 A, 120V, 3 Pole	P-759748-001
75 A, 120V, 3 Pole	P-764323-694
Power Fuses and Fuse Blocks	
40 A, 600V (box of 10)	P-764317-820
45 A, 600V	P-764323-441
50 A, 600V	P-764323-434
60 A, 600V	P-764323-443
70 A, 600V	P-764325-570
80 A, 600V	P-764325-571
Fuse Block, 0-60 A, 600V	P-150474-521
Fuse Block, 61-100 A, 600V	P-764325-572
Power Terminal Blocks	
3 Pole, 115 A, 1 Line Circuit, 1 Load Circuits	P-764323-445
3 Pole, 175 A, 1 Line Circuit, 4 Load Circuits	P-764323-446
3 Pole, 335 A, 1 Line Circuit, 4 Load Circuits	P-764323-447
3 Pole, 335 A, 1 Line Circuit, 8 Load Circuits	P-764323-448
Heating Elements - Single Phase (w/gasket)	
10KW, 208V	P-764323-400
10KW, 240V	P-764323-402
10KW, 480V	P-764323-404
15KW, 208V	P-764323-406
15KW, 240V	P-764323-408
15KW, 480V	P-764323-410
20KW, 208V	P-764323-412
20KW, 240V	P-764323-414
20KW, 480V	P-764323-416
30KW, 240V	P-764326-923
Heating Elements - Three Phase (w/gasket)	
10KW, 208V	P-764323-401
10KW, 240V	P-764323-403
10KW, 480V	P-764323-405
15KW, 208V	P-764323-407
15KW, 240V	P-764323-409
15KW, 480V	P-764323-411
20KW, 208V (20KW units only)	P-764323-413
20KW, 240V (20KW units only)	P-764323-415
20KW, 480V (20KW units only)	P-764323-417
20KW, 208V	P-764324-886
20KW, 240V	P-764323-424
20KW, 380V	P-764324-887
20KW, 480V	P-764323-425
30KW, 208V	P-764323-418
30KW, 240V	P-764323-419
30KW, 380V	P-764325-448
30KW, 480V	P-764323-420
34KW, 208V	P-764323-655
34KW, 240V	P-764323-657
34KW, 380V	P-764324-731
34KW, 415V	P-764326-875
34KW, 480V	P-764323-691
37.5KW, 208V	P-764323-421
37.5KW, 240V	P-764323-422
37.5KW, 380V	P-764326-083
37.5KW, 415V	P-764328-077
37.5KW, 480V	P-764323-423
40KW, 208V	P-764324-889
40KW, 240V	P-764325-065

40KW, 380V	P-764326-866
40KW, 415V	P-764326-867
40KW, 480V	P-764323-715
45KW, 208V	P-764326-541
45KW, 240V	P-764323-426
45KW, 380V	P-764328-076
45KW, 415V	P-764328-075
45KW, 480V	P-764323-427
Heater Gasket, CH02 thru CH04	P-764323-527
Heater Gasket, CH05 thru CH14	P-764323-594
Heater Bolt (each)	P-764323-643

Stainless Steel Steam Generators

For Parts Ordering: 1-800-333-8828



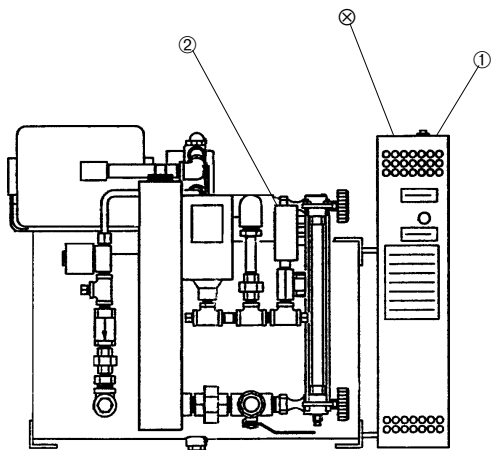
⊗ Model and Serial Number Tag

20 KW - AS Series Solid State - Electro Steam (Stainless Steel)

DESCRIPTION	PARTNUMBER
Controls	
① Relay (Water Level Control)	P-764322-410
Relay, Plug In (CR1/CR2)	P-84413-001
Contactors, 60 A	P-759748-001
Contactors, 50 A	P-759747-001
Capacitor, .47µnd, 600 VDC	P-764320-233
Fuse, 10 A (box of 5)	P-764323-556
Fuse, 1 A (box of 5)	P-764317-462
Resistor, 150 W, 1/2 W	P-93811-043
Heater, 208/240V and 380/415V, 6.5 KW (w/gasket)*	P-764321-272
Heater, 440V, 6.5 KW (w/gasket)	P-764321-398
Gasket, Heater (set of 3)	P-764317-713
Plumbing	
② Motor	P-764323-487
Pump (.48 gpm)	P-764324-674
Switch, Pressure (Operating)	P-764327-607
Switch, Pressure, w/Manual Reset (Hi-Limit)	P-764325-551
Valve, Check, S.S.	P-764321-478
Valve, Solenoid, Water	P-764315-518
• Repair Kit	P-764321-244
Sightglass Assembly	see pgs 74/75
Electrode, Spark Plug, 3/8 NPT	P-764323-515
Electrode, Spark Plug, 5/8-24 NEF	P-756383-091
Valve, Safety	P-764316-742
Valve, Ball	P-764324-696
Electrode Rods (set of 4)	P-764316-748
Electrode Rods (set of 4), S.S.	P-764091-001
Miscellaneous	
S.S. Pipe Thread Sealer	R-5300-541
Pipe Thread Sealer Primer	P-764326-438

* Star strapping allows for 380/415V applications

For Parts Ordering: 1-800-333-8828



⊗ Model and Serial Number Tag
(Top, front of Control Box)

20 KW - CHS Series Solid State - Chromalox (Stainless Steel)

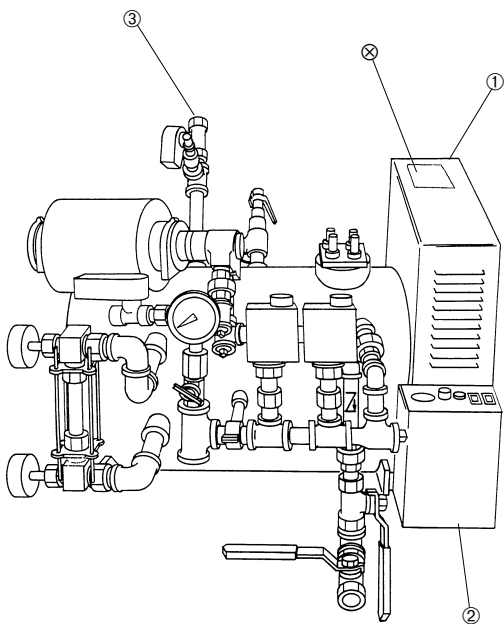
DESCRIPTION	PARTNUMBER
Controls	
① Printed Circuit Board (Curtis DLA), before date code 0011P***	P-764329-567
• Relay, Plug In	P-764322-763
Board, Printed Circuit (Warrick Series 16)	P-764329-567
• Relay, Pump Motor	P-764328-068
Board, Printed Circuit (Warrick), after date code 245LP	P-764328-355
• Contactor, Pump Motor	P-764326-233
Relay (1CR)	P-764323-557
Relay (2CR)**	P-41293-091
Resistor	P-764323-341
Contactor, 50 A	P-759747-001
Fuse, 10 A (box of 5)	P-764323-556
Terminal Block, Power Distribution	P-764323-446
Terminal Block, Power Distribution (3 req'd.)**	P-764323-641
Terminal Block, End (1 req'd.)**	P-764323-640
Terminal Block, Control Circuit	P-750461-001
Heater, 208/240V (w/gasket)	*
Heater, 380/415V (w/gasket)	*
Heater, 440V (w/gasket)	*
Gasket, Heater	P-764323-527
Plumbing	
② Motor	P-764323-487
Pump (.48 GPM)	P-764324-674
Switch, Pressure (Operating/Hi-Limit)	P-764324-673
Valve, Check, 1/4 NPT	P-764325-470
Valve, Check, 1/2 NPT	P-764326-446
Valve, Solenoid, Water	P-764324-670
• Kit, Repair	P-764324-672
Valve, Safety	P-764316-742
Valve, Ball	P-764324-696
Sightglass Assembly	see pgs 74/75
Control, Level (two switches)	P-764328-057
Miscellaneous	
S.S. Pipe Thread Sealer	R-5300-541
Pipe Thread Sealer Primer	P-764326-438

* call STERIS - Erie

** for 380/415V units only

*** identify board manufacturer prior to ordering

For Parts Ordering: 1-800-333-8828



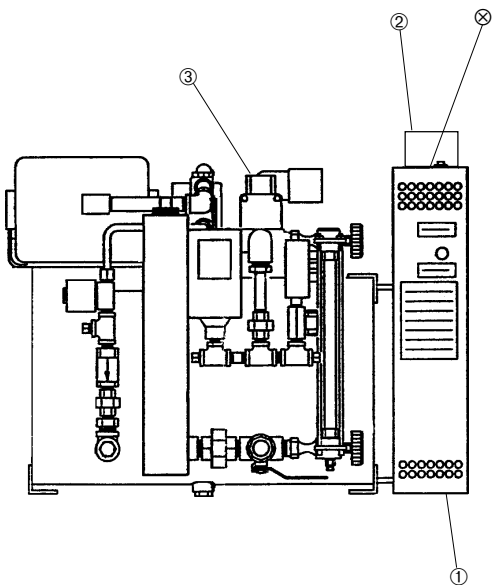
⊗ Model and Serial Number Tag

30 KW - AS Series (w/Anti-Flood) - Electro Steam (Stainless Steel)

DESCRIPTION	PARTNUMBER
Controls	
① Relay, Water Level Control	P-764322-410
Relay, Plug-in (CR1/CR2)	P-84413-001
Contactors, 50A	P-759747-001
Fuse, 10 A (box of 5)	P-764323-556
Fuse, 1 A (box of 5)	P-764317-462
Heater, 208/240V & 380/415V, 9.75KW (w/gasket)*	P-764322-394
Heater, 440V, 9.75 KW (w/gasket)	P-764322-395
Gasket, Heater (set of 3)	P-764317-713
Resistor	P-129318-001
Controls-Anti-Flood	
② Fuse, 1/4 A (box of 10)	P-764317-819
Relay	P-129360-019
Printed Circuit Board (Anti-Flood)	P-764325-965
Switch, Pushbutton	P-764322-899
Light (box of 10)	P-764317-708
Plumbing	
③ Motor	P-764323-487
Pump (.48 gpm)	P-764324-674
Switch, Pressure (Operating)	P-764327-607
Switch, Pressure, w/Manual Reset (Hi-Limit)	P-764325-551
Valve, Check	P-764321-478
Valve, Solenoid, Water	P-764315-518
• Repair Kit	P-764321-244
Valve, Solenoid, Steam	P-617100-766
• Repair Kit	P-764324-147
Valve, Safety	P-764316-742
Valve, Ball	P-764324-696
Sightglass Assembly	see pgs 74/75
Electrode, Spark Plug	P-150828-208
Electrode, Spark Plug, 5/8-24 NEF	P-756383-091
Electrode Rods (set of 4)	P-764316-748
Miscellaneous	
S.S. Pipe Thread Sealer	R-5300-541
Pipe Thread Sealer Primer	P-764326-438

* Star strapping allows for 380/415V applications

For Parts Ordering: 1-800-333-8828



⊗ Model and Serial Number Tag

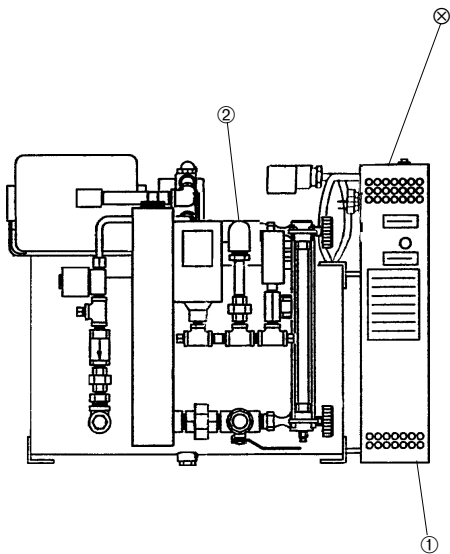
30 KW - CHS Series (w/Anti-Flood) - Chromalox (Stainless Steel)

DESCRIPTION	PARTNUMBER
Controls	
① Printed Circuit Board (Curtis DLA), before date code 0011P**	P-764329-567
• Relay, Plug-in	P-764322-763
Board, Printed Circuit (Warrick), before date code 245LP**	P-764329-567
• Relay, Pump Motor	P-764328-068
Board, Printed Circuit (Warrick), after date code 245LP	P-764328-355
• Contactor, Pump Motor	P-764326-233
Relay (1CR)	P-764323-557
Relay (2CR) *	P-41293-091
Resistor	P-764323-341
Contactor, 50 A	P-759747-001
Fuse, 10 A (box of 5)	P-764323-556
Terminal Block, Power Distribution	P-764323-446
Terminal Block, Power Distribution (3 req'd.)**	P-764323-641
Terminal Block, End (1 req'd.)**	P-764323-640
Terminal Block, Control Circuit	P-750461-001
Heater, 208/240V (w/gasket)	P-764324-764
Heater, 380/415V (w/gasket)	P-764327-659
Heater, 440V (w/gasket)	P-764324-765
Gasket, Heater	P-764323-527
Controls - Anti-Flood	
② Fuse .8 Amp	P-764323-554
Relay, Plug-in	P-764323-553
Board, Printer Circuit (Anti-Flood)	P-764323-552
Switch, Pushbutton	P-764323-326
Light, Amber	P-764323-328
Light, Green	P-764323-329
Plumbing	
③ Motor	P-764323-487
Pump (.48 gmp)	P-764324-674
Switch, Pressure (Operating/Hi-Limit)	P-764324-673
Valve, Check, 1/4 NPT	P-764325-470
Valve, Check, 1/2 NPT	P-764326-446
Valve, Solenoid, Water	P-764324-670
• Kit, Repair	P-764324-672
Valve, Solenoid, Steam	P-617100-766
• Kit, Repair	P-764324-147
Valve, Safety	P-764316-742
Valve, Ball	P-764324-696
Sightglass Assembly	see pgs 74/75
Control, Level (one switch)	P-764328-063
Control, Level (two switches)	P-764328-064
Miscellaneous	
S.S. Pipe Thread Sealer	R-5300-541
Pipe Thread Sealer Primer	P-764326-438

* for 380/415V units only

** identify board manufacturer prior to ordering

For Parts Ordering: 1-800-333-8828



⊗ Model and Serial Number Tag

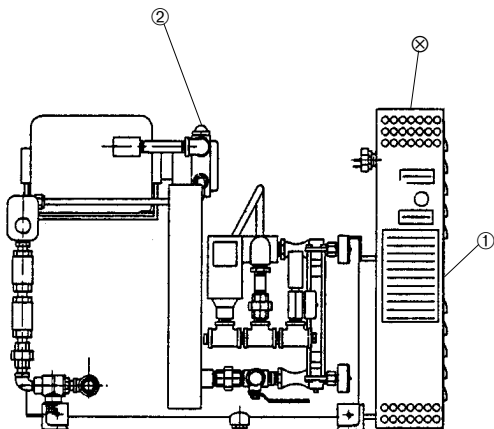
30 KW - CHS Series Stage 3 - Chromalox (Stainless Steel)

DESCRIPTION	PARTNUMBER
Controls	
① Connector (S09A)	P-755716-068
Connector (S09)	P-764325-684
Printed Circuit Board (Curtis DLA), before date code 001IP**	P-764329-567
• Relay, Plug-in (1CR)	P-764322-763
Board, Printed Circuit (Warrick), before date code 245LP**	P-764329-567
• Relay, Pump Motor	P-764328-068
Board, Printed Circuit (Warrick), after date code 245LP	P-764328-355
• Contactor, Pump Motor	P-764326-233
Relay (1CR)	P-764323-557
Relay (2CR) *	P-41293-091
Resistor	P-764323-341
Contactor, 50 A	P-759747-001
Fuse, 10 A (box of 5)	P-764323-556
Terminal Block, Power Distribution	P-764323-446
Terminal Block, Power Distribution (3 req'd.)**	P-764323-641
Terminal Block, End (1 req'd.)**	P-764323-640
Terminal Block, Control Circuit	P-750461-001
Heater, 208/240V (w/gasket)	P-764324-764
Heater, 380/415V (w/gasket)	P-764327-659
Heater, 440V (w/gasket)	P-764324-765
Gasket, Heater	P-764323-527
Plumbing	
② Motor	P-764323-487
Pump (.48 gpm)	P-764324-674
Switch, Pressure (Operating/Hi-Limit)	P-764324-673
Valve, Check, 1/4 NPT	P-764325-470
Valve, Check, 1/4 NPT	P-764326-446
Valve, Solenoid, Water	P-764324-670
• Kit, Repair	P-764324-672
Valve, Safety	P-764316-742
Valve, Ball, 1/4 NPT	P-764326-584
Valve, Ball, 1/2 NPT	P-764326-696
Sightglass Assembly	see pgs 74/75
Control, Level (two switches)	P-764328-057
Miscellaneous	
S.S. Pipe Thread Sealer	R-5300-541
Pipe Thread Sealer Primer	P-764326-438

*for 380/415V units only

**identify board manufacturer prior to ordering

For Parts Ordering: 1-800-333-8828



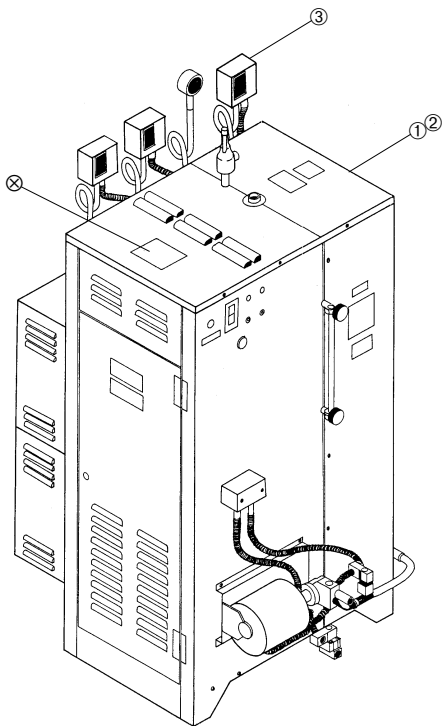
⊗ Model and Serial Number Tag

30 KW - CHS Series Century Chromalox (Stainless Steel)

DESCRIPTION	PARTNUMBER
Controls	
① Connector (AUS)	P-764325-684
Connector (P100)	P-93909-232
Printed Circuit Board, before date code 245LP	P-764329-567
• Relay, Pump Motor	P-764326-887
Printer Circuit Board, after date code 245LP	P-764328-355
• Contactor, Pump Motor	P-764326-233
Relay (1CR)	P-764323-557
Relay (2CR) *	P-41293-091
Resistor	P-764323-341
Contactor, 50 A	P-759747-001
Fuse, 10 A (box of 5)	P-764323-556
Terminal Block, Power Distribution	P-764323-446
Terminal Block, Power Distribution (3 req'd.)**	P-764323-641
Terminal Block, End (1 req'd.)**	P-764323-640
Terminal Block, Control Circuit	P-750461-001
Heater, 208V (w/gasket) (units after date code 304LP)	P-764328-020
Heater, 208/240V (w/gasket)	P-764323-549
Heater, 380/415V (w/gasket)	P-764323-639
Heater, 440V (w/gasket)	P-764324-765
Gasket, Heater	P-764323-527
Plumbing	
② Motor	P-764323-487
Pump (.48 gpm)	P-764324-674
Switch, Pressure (Operating/Hi-Limit)	P-764324-673
Valve, Check, 1/4 NPT	P-764325-470
Valve, Check, 1/2 NPT	P-764326-446
Valve, Solenoid, Water	P-764324-670
• Kit, Repair	P-764324-672
Valve, Safety	P-764316-742
Valve, Ball, 1/4"	P-764326-584
Valve, Ball, 1/2"	P-764324-696
Sightglass Assembly	see pgs 74/75
Control, Level (two switches)	P-764328-057
Miscellaneous	
S.S. Pipe Thread Sealer	R-5300-541
Pipe Thread Sealer Primer	P-764326-438

*for 380/415V units only

For Parts Ordering: 1-800-333-8828



⊗ Model and Serial Number Tag

10 KW (CH02) thru 180 KW (CH14) CES Series - Stand Alone Chromalox (Stainless Steel)

DESCRIPTION	PARTNUMBER
Valves and Gauges	
Ball Valve, Water Supply, 1/2"	P-764324-696
Ball Valve, Pressure Gauge, 1/4"	P-764326-584
Ball Valve, Blow Down, 1"	P-764326-585
Pressure Gauge, 0-160 psi	P-764324-695
Pressure Gauge, 9-100 psi, Liquid Filled	P-764325-975
Solenoid Valve, 3/4" NPT (Steam)	P-617100-767
• Kit, Repair	P-764324-147
Solenoid Valve, 1" NPT (Steam)	P-338517-158
• Kit, Repair	P-764326-889
Solenoid Valve, 1/2" NPT (Water)	P-764326-116
• Kit, Repair	P-764320-750
Check Valve, 1/2"	P-764326-446
Water Level Sight Glass Assemblies	see pgs 74/75
Safety Valves	
100 psig, 1/2" CH02 thru CH08	P-764316-742
100 psig, 3/4" CH10 thru CH14	P-764326-146
Pressure Controls	
Pressure Control, Operating, 10-100 psi	P-764324-736
Pressure Control, Hi-Limit, Manual Reset	P-764324-735
Water Feed	
Procon Pump and Motor (10KW thru 75KW)-	
Motor Only (1/3 HP) *	P-764323-489
Pump Only (1.7 gpm)	P-764326-676
Clamp	P-764323-491
Procon Pump and Motor (100KW thru 180KW)-	
Motor Only (1/2 HP) *	P-764326-373
Pump Only (3.2 gpm)	P-764326-135
Clamp	P-764323-491
Oberdorfer Pump and Motor (10KW thru 75KW)-	
Motor Only (1/3 HP)	P-764326-589
Pump	see note
Oberdorfer Pump and Motor (100KW thru 180KW)-	
Motor Only (1/2 HP)	P-764326-590
Pump	see note
Strainer, 1/2" NPT	P-386344-061
Hose Assembly, 18" Long	P-764326-586
Hose Adapter, 3/8 NPT (Swivel)	P-764326-816
Hose Adapter, 1/2 NPT (Swivel)	P-764326-817
Control	
Warrick Series 16 Water Level Control Board	
(before date code 001IP)**	P-764329-567
Replacement Relay	P-764328-068

NOTE: If replacement of Oberdorfer pump is necessary, conversion to Procon pump and motor is recommended. Contact AMSCO Tech Support at 1-800-333-8848, Ext. 9203 for assistance.

*Originally, 10KW thru 75KW units used 1/4 HP motor and 100KW thru 180KW units used 1/3 HP motor

**identify board manufacturer prior to ordering

Controls (Cont'd.)

Curtis DLA Water Level Control Board (before date code 001IP)**	P-755716-242
Replacement Relay	P-764322-763
Warrick Anti-Flood Control Board (before date code 001IP)	P-764323-552
Relay, Plug-In, Anti-Flood Control (after date code 0011P)	P-764323-553
Relay, Control (before date code 0011P) (2CR)	P-764323-557
Relay, Heavy Duty, 220V Pump	P-41293-091
Warrick Water Level/Anti-Flood/Control Board (after date code 001IP)	P-764326-194
Relay, Lavado (after date code 001IP) (1CR)	P-764326-233
Auxiliary Low Water Cutoff Board	P-764325-530
Control, Level (4 switches) CH02 thru CH04	P-764328-054
Control, Level (4 switches) CH05 thru CH08	P-764328-053
Control, Level (4 switches) CH10 thru CH14	P-764328-052
Control, Level, Alwco (1 switch) CH02 thru CH04	P-764328-058
Control, Level, Alwco (1 switch) CH01 thru CH08	P-764328-056
Control, Level, Alwco (1 switch) CH10 thru CH14	P-764328-055

Miscellaneous Parts

On-Off Switch with Pilot Light	P-764323-522
Fuse Control Circuit, 15 A (box of 5)	P-764323-523
Fuse Control Circuit, 1-1/4 A (box of 5)	P-764317-837
Fuse, Transformer, .6 A (box of 10)	P-764326-874
Control Circuit Terminal Block, 4 Pole	P-764323-538
Fuse Holder	P-764323-525
Pushbutton, N.C.	P-764323-326
Pushbutton, N.O. (after 1/93)	P-78481-091
Door Switch, Interlock	P-764325-508
Pilot Light, Amber	P-764323-328
Pilot Light, Green	P-764323-329
Transformer, 220/480V - 120V	P-764326-132
Isolator Tube, CH02 thru CH04	P-764325-744
Isolator Tube, CH05 thru CH08	P-764324-726
Isolator Tube, CH10 thru CH14	P-764324-728
Wire Heater #6	P-764326-679
Wire Heater #8	P-764326-680
Wire Heater #10	P-764326-681
Terminal, Heater Wire #6	P-764326-885
Terminal, Heater Wire #8	P-764327-768
Terminal, Heater Wire #10	P-764326-920
S.S. Pipe Thread Sealer	R-5300-541
Pipe Thread Sealer Primer	P-764326-438

Contactors, Fusible

30 A w/35-60 A, 600V Block	P-764323-432
40 A w/35-60 A, 600V Block	P-764323-433
50 A w/35-60 A, 600V Block	P-764323-434

Contactors, Non-Fusible

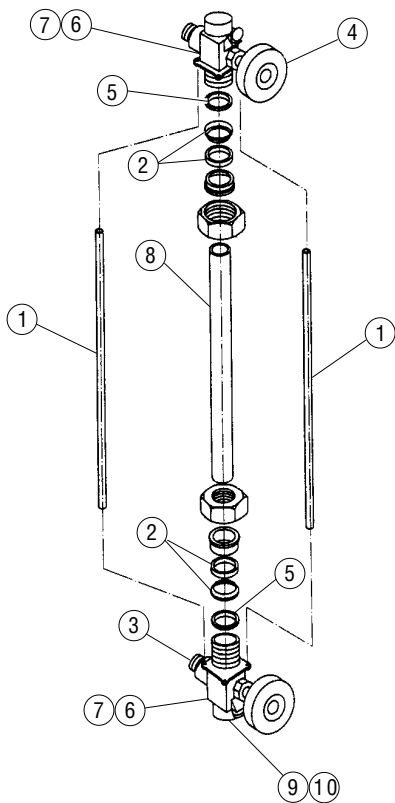
40 A, 120V, 2 Pole	P-764323-334
40 A, 120V, 3 Pole	P-759746-001
40 A, 120V, 4 Pole	P-764323-336

50 A, 120V, 2 Pole***	P-764323-335
50 A, 120V, 3 Pole	P-759747-001
50 A, 120V, 4 Pole***	P-764323-337
60 A, 120V, 3 Pole	P-759748-001
75 A, 120V, 3 Pole	P-764323-694
Power Fuses and Fuse Blocks	
40 A, 600V (box of 10)	P-764317-820
45 A, 600V	P-764323-441
50 A, 600V	P-764320-434
60 A, 600V	P-764323-443
70 A, 600V	P-764325-570
80 A, 600V	P-764325-571
Fuse Block, 0-60 A, 600V	P-150474-521
Fuse Block, 61-100 A, 600V	P-764325-572
Power Terminal Blocks	
3 Pole, 115 A, 1 Line Circuit, 1 Load Circuits	P-764323-445
3 Pole, 175 A, 1 Line Circuit, 4 Load Circuits	P-764323-446
3 Pole, 335 A, 1 Line Circuit, 4 Load Circuits	P-764323-447
3 Pole, 335 A, 1 Line Circuit, 8 Load Circuits	P-764323-448
Heating Elements - Single Phase (w/gasket)	
10KW, 208V	***
10KW, 240V	***
10KW, 480V	***
15KW, 208V	***
15KW, 240V	***
15KW, 480V	***
20KW, 208V	***
20KW, 240V	***
20KW, 480V	***
30KW, 240V	***
Heating Elements - Three Phase (w/gasket)	
10KW, 208V	***
10KW, 240V	***
10KW, 480V	***
15KW, 208V	***
15KW, 240V	***
15KW, 480V	***
20KW, 208V (20KW units only)	P-764326-594
20KW, 240V (20KW units only)	***
20KW, 480V (20KW units only)	***
20KW, 208V	P-764326-596
20KW, 240V	P-764325-671
20KW, 380V	***
20KW, 480V	***
30KW, 208V	P-764326-598
30KW, 240V	P-764326-753
30KW, 380V	P-764327-659
30KW, 480V	P-764326-754
34KW, 208V	***
34KW, 240V	P-764326-597
34KW, 380V	***
34KW, 480V	P-764323-999
37.5KW, 208V	***
37.5KW, 240V	P-764326-300
37.5KW, 380V	***
37.5KW, 480V	P-764326-364

*** call STERIS - Erie

40KW, 208V	***
40KW, 240V	***
40KW, 380V	***
40KW, 480V	P-764326-595
45KW, 208V	***
45KW, 240V	***
45KW, 480V	P-764327-774
Heater Gasket, CH02 thru CH04	P-764323-527
Heater Gasket, CH05 thru CH14	P-764323-594
Heater Bolt (each)	P-764323-643

For Parts Ordering: 1-800-333-8828



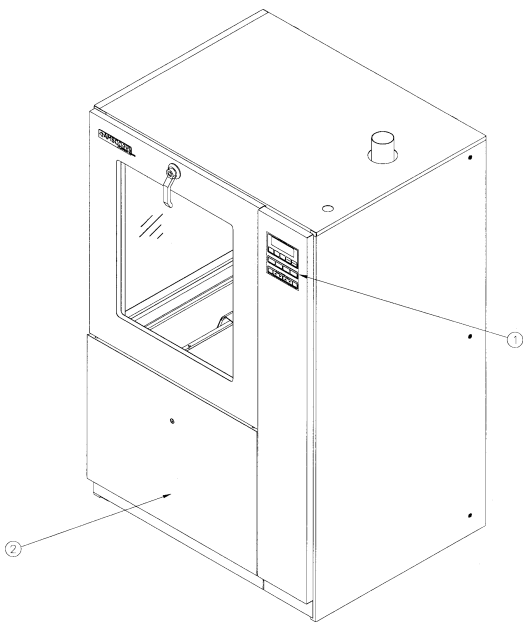
Water Level Sightglass Assembly

	DESCRIPTION	PARTNUMBER
Controls		
①	Rod Guard, CH02/CH04 (each)	P-764323-700
	Rod Guard, CH05/CH08 (each)	P-764323-452
	Rod Guard, CH10/CH14 (each)	P-764323-453
	Rod Guard, CHS/AS (each)	P-764323-327
Seal		
②	Seal	P-764326-231
Valve, Bottom		
③	Valve, Bottom (brass)	P-764320-900
Valve, Top		
④	Valve, Top (brass)	P-764320-899
Washer, Friction		
⑤	Washer, Friction	P-764326-361
Valve Sets		
⑥	Valve Set, Top and Bottom (brass)	P-764323-512
	• Repair Kit	P-764328-202
⑦	Valve Set, Top and Bottom (stainless steel)	P-764315-523
	• Repair Kit	P-764328-203
Kits, Sightglass		
⑧	Kits, Sightglass (contains 2 glasses and 8 washers, 4 of P-751847-091 for round type valve bodies and 2 sets of P-764326-231 for square type valve bodies):	
	• 5-1/2"	P-764323-880
	• 6"	P-764324-699
	• 6-1/4"	P-764321-195
	• 6-1/2"	P-764323-543
	• 7"	P-764324-885
	• 7-1/4"	P-764323-948
	• 7-1/2"	P-764322-879
	• 7-3/4"	P-764323-456
	• 8"	P-754031-091
	• 8-1/2"	P-764324-697
	• 9"	P-764324-700
	• 9-1/8"	P-764325-491
	• 9-1/2"	P-764321-717
	• 9-3/4"	P-764323-457
	• 10"	P-754032-091
	• 10-1/4"	P-764323-458
	• 10-3/4"	P-764321-716
	• 11"	P-764324-701
	• 11-1/8"	P-764325-492
	• 11-1/2"	P-764325-698
	• 12"	P-75424-091
	• 13-1/8"	P-764325-493
Valve, Drain		
⑨	Valve, Drain, Brass	P-764326-712
⑩	Valve, Drain, Stainless Steel	P-764326-296

To determine the correct length of the sightglass, measure the distance between the centerline of the upper and lower sightglass valve handwheels and subtract either 1-1/4" (for the valve bodies that have a round shape casting) or 2" (for valve bodies that have a square shape casting).

Washing (Reliance)

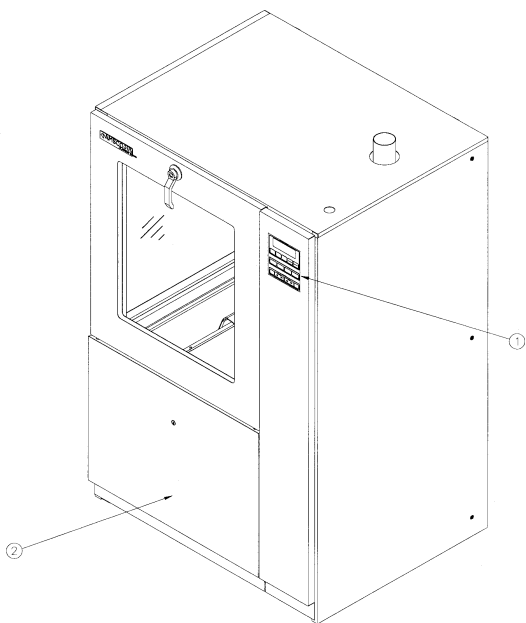
For Parts Ordering: 1-800-333-8828



Reliance 300 Washer - Steam Heated

	DESCRIPTION	PARTNUMBER
Expendables		
	Maintenance Manual	P-764329-127
	Equipment Manual	P-122993-619
	Lubricant, Detergent Pump	P-117950-599
	1/4" I.D. Tube, Detergent, 36" Lg	P-117950-809
	Door Gasket	P-117908-297
Controls		
①	Control Board	P-146655-819
	Display Board Interface	P-93908-435
	Power Supply	P-93910-541
	Battery, Back Ram	P-129362-145
	Swith, Door	P-117908-369
	Sensor, Water Level Sump	P-117905-655
	RTD	P-117955-383
	Driver, Dip Relay	P-129360-770
	Fuse, 3 Amp, 250V, Box of 5	P-764317-778
	Fuse, 4 Amp, 250V, Box of 5	P-764327-739
	Fuse, 1.6 Amp, 500V	P-117951-596
Plumbing		
②	Filter/Regulator Pressure	P-117903-144
	Seal, Pump Mech. (Recirc Pump)	P-117903-641
	Gasket, Casing (Recirc Pump)	P-117903-640
	Valve, Pneumatic	P-117907-304
	Cylinder, Pneumatic	P-117902-389
	P.M. Pack, Sol/Divir/Pneu	P-764328-086
	• Kit, Repair, 1/2" Sol. Valve (hot/cold water)	P-764316-147
	• Kit, Repair, 1/2" Sol. Valve (steam)	P-764324-556
	• Kit, Repair, 1/2" S/S Sol. Valve (water)	P-117955-193
	• Kit, Repair, Transfer Valve	P-117904-010
	• Kit, Repair, 1-3/4" Pnuematic Valve	P-117904-011
	• Kit, Repair, 2-1/2" Pnuematic Valve	P-117904-012
	• Hose/Neoprene Pnuematic Valve	P-117950-690
	• Muffler, Exhaust Air	P-117902-312
	• Trap, Steam, 1/2"	P-117903-554
	• Strainer, 1/2" F (water/steam)	P-117950-177

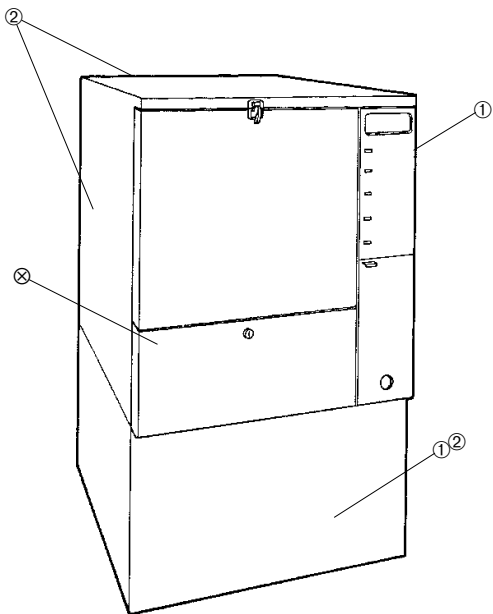
For Parts Ordering: 1-800-333-8828



Reliance 300 Washer - Electric Heated

	DESCRIPTION	PARTNUMBER
Expendables		
	Maintenance Manual	P-764329-127
	Equipment Manual	P-122993-619
	Lubricant, Detergent Pump	P-117950-599
	1/4" I.D. Tube, Detergent, 36" Lg	P-117950-809
	Door Gasket	P-117908-297
Controls		
①	Control Board	P-146655-819
	Display Board Interface	P-93908-435
	Power Supply	P-93910-541
	Battery, Back Ram	P-129362-145
	Swith, Door	P-117908-369
	Sensor, Water Level Sump	P-117905-655
	RTD	P-117955-383
	Driver, Dip Relay	P-129360-770
	Fuse, 3 Amp, 250V, Box of 5	P-764317-778
	Fuse, 4 Amp, 250V, Box of 5	P-764327-739
	Fuse, 1.6 Amp, 500V	P-117951-596
	Fuse, 15 Amp, 600V	P-117902-669
	Fuse, 25 Amp, 600V	P-117903-630
	Thermodisk, D.I. Sump	P-117904-035
	Thermodisk, P.W. Tank/D.I.	P-117904-036
	Protection, Thermodisk, D.I.	P-117984-792
	Protection, Thermodisk, Sump	P-117984-799
Plumbing		
②	Filter/Regulator Pressure	P-117903-144
	Seal, Pump Mech. (Recirc Pump)	P-117903-641
	Gasket, Casing (Recirc Pump)	P-117903-640
	Valve, Pneumatic	P-117907-304
	Cylinder, Pneumatic	P-117902-389
	P.M. Pack, Sol/Divir/Pneu	P-764328-086
	• Kit, Repair, 1/2" Sol. Valve (hot/cold water)	P-764316-147
	• Kit, Repair, 1/2" Sol. Valve (steam)	P-764324-556
	• Kit, Repair, 1/2" S/S Sol. Valve (water)	P-117955-193
	• Kit, Repair, Transfer Valve	P-117904-010
	• Kit, Repair, 1-3/4" Pnuematic Valve	P-117904-011
	• Kit, Repair, 2-1/2" Pnuematic Valve	P-117904-012
	• Hose/Neoprene Pnuematic Valve	P-117950-690
	• Muffler, Exhaust Air	P-117902-312
	• Trap, Steam, 1/2"	P-117903-554
	• Strainer, 1/2" F (water/steam)	P-117950-177

For Parts Ordering: 1-800-333-8828

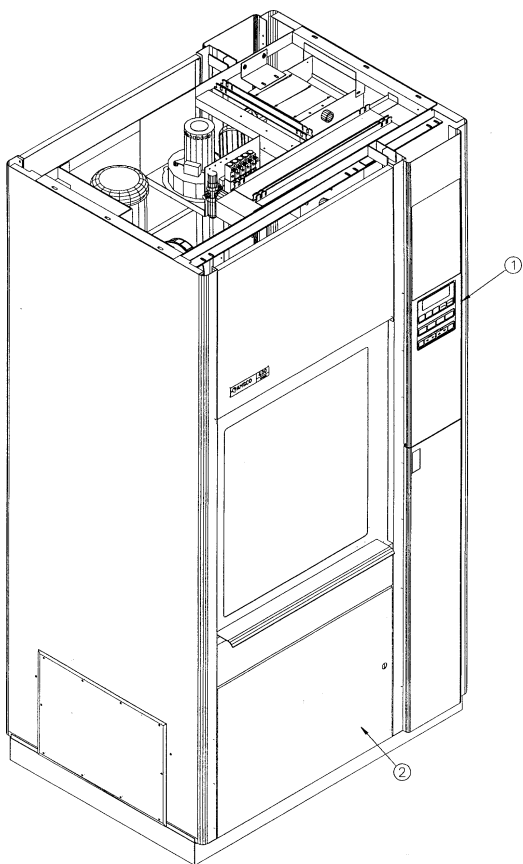


⊗ Model and Serial Number Tag

Reliance 370 Lab Washer

	DESCRIPTION	PARTNUMBER
Expendables		
	Maintenance Manual	P-764323-288
	Equipment Manual	P-122990-601
	Lubricant, Detergent Pump	P-117950-599
Controls		
①	Microswitch, Water Level Control	P-117950-647
	Microswitch, Door	P-117950-029
	Lamp, Detergent Light, Box of 10	P-117950-069
	Thermostat, Honeywell	P-117950-184
	Thermostat, Electronic	P-117951-357
	Thermo-Disc (Electric Units Only)	P-117951-744
	Supply, Power	P-117950-299
	Fuse, 2 Amp, 240V, Box of 10	P-764317-771
	Fuse, 6 Amp, 240V, Box of 5	P-117950-072
	Float, Water Level Control	P-117950-028
Plumbing		
②	Strainer	P-117950-177
	Screen	P-117950-178
	Gasket, Inlet	P-117950-015
	Filter, Inlet	P-117950-016
	Trap, Steam	P-117950-182
	Kit, Repair, Pure Water, Solenoid	P-117950-078
	Kit, Repair, Steam Valve	P-117950-179
	Solenoid, Valve	P-117950-214
	Kit, Repair, Diverter Valve	P-117950-225
	Solenoid, Diverter Valve	P-117950-172
	Seal, Rubber, Pump	P-117950-140
	Seal, Carbon, Pump	P-117950-141
	O-Ring, Pump	P-117950-145

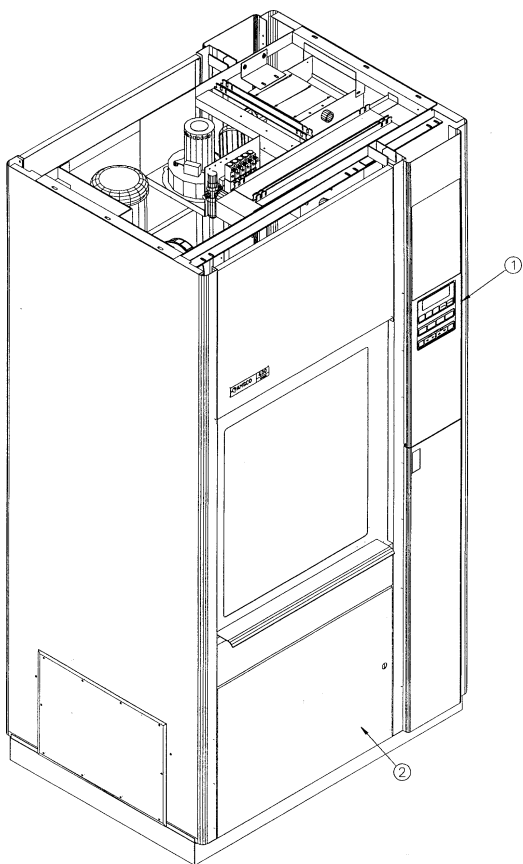
For Parts Ordering: 1-800-333-8828



Reliance 400 Glassware Washer Manual Door/Power Door

DESCRIPTION	PARTNUMBER
Expendables	
Maintenance Manual	P-764329-129
Equipment Manual	P-122994-513
Lubricant, Detergent Pump	P-117950-599
Tube, 1/4" I.D. Detergent, 60" Lg	P-117903-810
Controls	
① Switch, Rocker ON/OFF	P-117902-857
Control Board	P-146655-819
Interface Board	P-146655-598
Power Supply	P-93910-541
Printer Assembly, Thermal	P-93910-531
Printer Only, Thermal w/cable	P-755716-005
Paper, Thermal Printer	P-129359-008
Battery, Back Ram	P-129362-145
Sensor, Door Proximity	P-117903-111
Switch, Overtemperature	P-117903-586
RTD	P-117955-383
Driver, Dip Relay	P-129360-770
Relay, Solid State	P-129361-870
Fuse, 3 Amp, 250V (Power Supply), Box of 5	P-764317-778
Fuse, 4 Amp, 250V, Box of 5	P-764327-739
Fuse, 7 Amp, 250V	P-129361-869
Sensor, Water Level, Sump	P-117903-117
Sensor, Water Level, D.I.	P-117903-115
Plumbing	
② Cable, Manual Door (only), 72" Lg	P-117903-153
Cable, Manual Door (only), 120" Lg	P-117903-154
Cable, Manual Door (only), 158" Lg	P-117903-155
Filter, Regulator Air	P-117955-144
Seal, Pump Mech. (Recirc Pump)	P-117903-641
Gasket, Casing (Recirc Pump)	P-117903-640
Valve, Flow Control (cylinder)	P-117903-034
Valve, Pneumatic, 4 way	P-117907-304
Muffler, Exhaust Air	P-117955-130
P.M. Pack, Sol/Pneu/Transfer Valve	P-764326-524
• Kit, Repair, 1/2" Sol. Valve (hot/cold water)	P-764316-147
• Kit, Repair, 1/2" Sol. Valve (steam)	P-764324-556
• Kit, Repair, Transfer Valve	P-117904-010
• Kit, Repair, 1-3/4" Pnuematic Valve	P-117904-011
• Kit, Repair, 2-1/2" Pnuematic Valve	P-117904-012
• Hose/Neoprene Pnuematic Valve	P-117950-690
• Kit, Repair, 1/2" S/S Sol. Valve (water)	P-117955-193
• Trap, Steam, 1/2"	P-117903-554
• Strainer, 1/2" F (steam)	P-117904-468
• Strainer, 1/2" F (water)	P-117950-177
Miscellaneous	
Key, Service Doors	P-117950-276
Lower Door Gasket, Power (with proximity sensor)	P-117904-306
Lower Door Gasket, Manual	P-117902-604
Side Door Gasket	P-117902-865
Interior Light Bulb	P-117903-100
Interior Light, Fluorescent	P-117906-132
Sensor, Door Up Proximity	P-117904-584

For Parts Ordering: 1-800-333-8828



Reliance 500 Glassware Washer Manual Door/Power Door

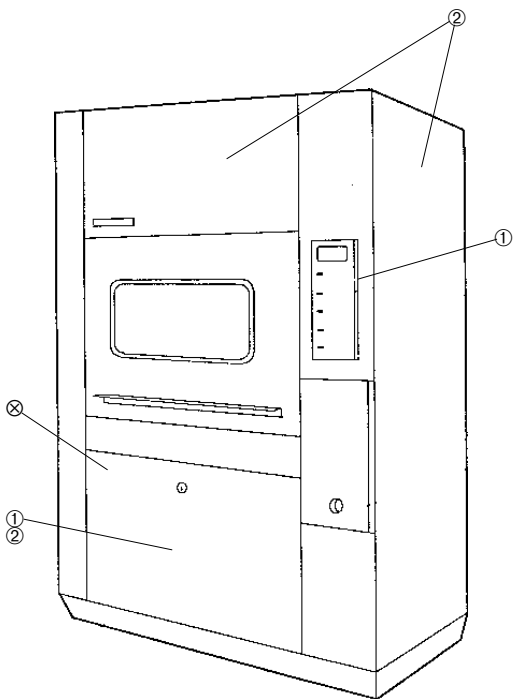
DESCRIPTION	PARTNUMBER
Expendables	
Maintenance Manual	P-764329-129
Equipment Manual	P-122994-513
Lubricant, Detergent Pump	P-117950-599
Tube, 1/4" I.D. Detergent, 60" Lg	P-117903-810
Controls	
① Switch, Rocker ON/OFF	P-117902-857
Control Board	P-146655-819
Interface Board	P-146655-598
Power Supply	P-93910-541
Printer Assembly, Thermal	P-93910-531
Printer Only, Thermal w/cable	P-755716-005
Paper, Thermal Printer	P-129359-008
Battery, Back Ram	P-129362-145
Sensor, Door Proximity	P-117906-082
Switch, Overtemperature	P-117903-586
RTD	P-117955-383
Driver, Dip Relay	P-129360-770
Relay, Solid State	P-129361-870
Fuse, 3 Amp, 250V (Power Supply), Box of 5	P-764317-778
Fuse, 4 Amp, 250V, Box of 5	P-764327-739
Fuse, 7 Amp, 250V	P-129361-869
Sensor, Water Level, Sump	P-117903-117
Sensor, Water Level, D.I.	P-117903-115
Plumbing	
② Cable, Manual Door (only), 68" Lg	P-117905-302
Cable, Manual Door (only), 120" Lg	P-117903-154
Cable, Manual Door (only), 172" Lg	P-117905-300
Filter, Regulator Air	P-117955-144
Seal, Pump Mech. (Recirc Pump)	P-117903-641
Gasket, Casing (Recirc Pump)	P-117903-640
Valve, Flow Control (cylinder)	P-117903-034
Valve, Pneumatic, 4 way	P-117907-304
Muffler, Exhaust Air	P-117955-130
P.M. Pack, Sol/Pneu/Transfer Valve	P-764326-524
• Kit, Repair, 1/2" Sol. Valve (hot/cold water)	P-764316-147
• Kit, Repair, 1/2" Sol. Valve (steam)	P-764324-556
• Kit, Repair, Transfer Valve	P-117904-010
• Kit, Repair, 1-3/4" Pnuematic Valve	P-117904-011
• Kit, Repair, 2-1/2" Pnuematic Valve	P-117904-012
• Hose/Neoprene Pnuematic Valve	P-117950-690
• Kit, Repair, 1/2" S/S Sol. Valve (water)	P-117955-193
• Trap, Steam, 1/2"	P-117903-554
• Strainer, 1/2" F (steam)	P-117904-468
• Strainer, 1/2" F (water)	P-117950-177

Continued on Page 89

Miscellaneous

Key, Service Doors	P-117950-276
Door Gasket, Side	P-117902-865
Door Gasket, Lower Mod. w/o sensor (from S/N 3618900000)	P-117906-120
Door Gasket, Lower Mod. w/sensor (from S/N 3618800000)	P-117906-119
Interior Light Bulb, Fluorescent, 20W	P-117906-132
Sensor, Automated Door Proximity, Door Up	P-117904-584
Sensor, Door Proximity	P-117903-111

For Parts Ordering: 1-800-333-8828

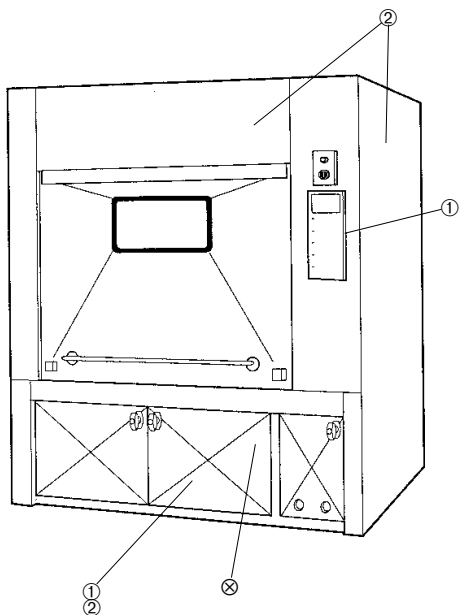


⊗ Model and Serial Number Tag

Reliance 470/570 Lab Washer

	DESCRIPTION	PARTNUMBER
Expendables		
	Maintenance Manual	P-764323-292
	Equipment Manual	P-122990-086
	Lubricant, Detergent, Pump	P-117950-599
Controls		
①	Lamp, Detergent Light, Box of 10	P-117950-069
	Microswitch, Door	P-117950-038
	Fuse, 2 Amp, 240V, Box of 10	P-764317-771
	Fuse, 6 Amp, 240V, Box of 5	P-117950-072
	Sensor, Water Level, Control	P-117950-024
	Thermostat, Honeywell	P-117950-184
	Supply, Power	P-117950-299
Plumbing		
②	Filter, Water, Inlet, Small	P-117950-016
	Seal, Rubber, Pump	P-117950-140
	Seal, Carbon, Pump	P-117950-141
	O-Ring, Pump	P-117950-145
	Kit, Repair, Diverter Valve	P-117950-226
	Solenoid, Diverter Valve	P-117950-172
	Kit, Repair, Check Valve & 2-1/2" Solenoid Valve	P-117950-168
	Kit, Repair, 1/2" Solenoid Valve	P-117950-180
	Kit, Repair, 3/4" Solenoid Valve	P-117950-211
	Strainer, 3/4"	P-117950-207
	Screen, Strainer	P-117950-208
	Trap, Steam	P-117950-182
	Strainer, 1/2"	P-117950-177

For Parts Ordering: 1-800-333-8828

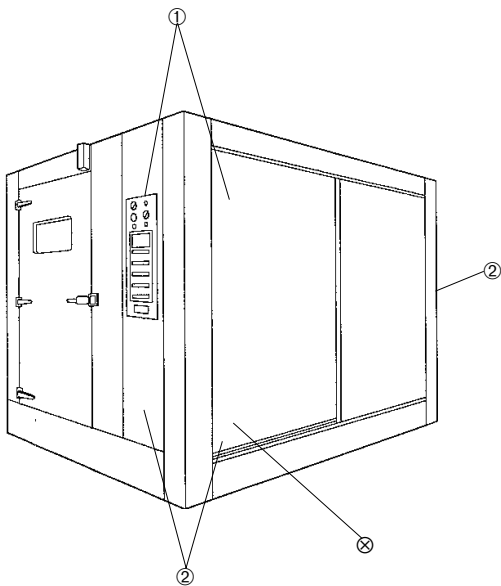


⊗ Model and Serial Number Tag

Reliance 650 Washer

	DESCRIPTION	PARTNUMBER
Expendables		
	Maintenance Manual	P-764323-126
	Equipment Manual	P-122990-130
	Lubricant, Detergent, Pump	P-117950-599
Controls		
①	Switch, Water Level, Long	P-117950-024
	Switch, Water Level, Short	P-117950-025
	Kit, Repair, Water Level Switches	P-117950-026
	Switch, Power, ON/OFF	P-117950-257
	Lamp, Detergent Light, Box of 10	P-117950-069
	Supply, Power	P-117950-299
	Fuse, 2 Amp, 240V, Box of 10	P-764317-771
	Fuse, 6 Amp, 240V, Box of 5	P-117950-072
	Fuse, 4 Amp, 240V	P-117950-049
	Fuse, 4 Amp, 600V	P-117950-110
	Switch, Door, Limit	P-117951-091
	Thermostat, Electronic	P-117951-328
	Thermo-Disc (Electric Units Only)	P-117951-640
	Bulb, High Temp. 75W	P-117954-606
Plumbing		
②	Seal, Pump (Before S/N 3611590471)	P-117950-142
	Seal, Pump (After S/N 3611590471)	P-117951-518
	O-Ring	P-117951-145
	Kit, Repair, 1/2" Water Valve	P-117950-174
	Kit, Repair, 3/4" Water Valve	P-117950-211
	Kit, Repair, Diverter Valve	P-117950-266
	Solenoid, Diverter Valve	P-117950-172
	Kit, Repair, 3/4" Steam	P-117951-286
	Trap, Steam, 1/2"	P-117950-182
	Trap, Steam, 3/4"	P-117950-360
	Strainer, 1"	P-117950-205
	Strainer, 3/4"	P-117950-207
	Screen, 1" Strainer	P-117950-206
	Screen, 3/4" Strainer	P-117950-208

For Parts Ordering: 1-800-333-8828

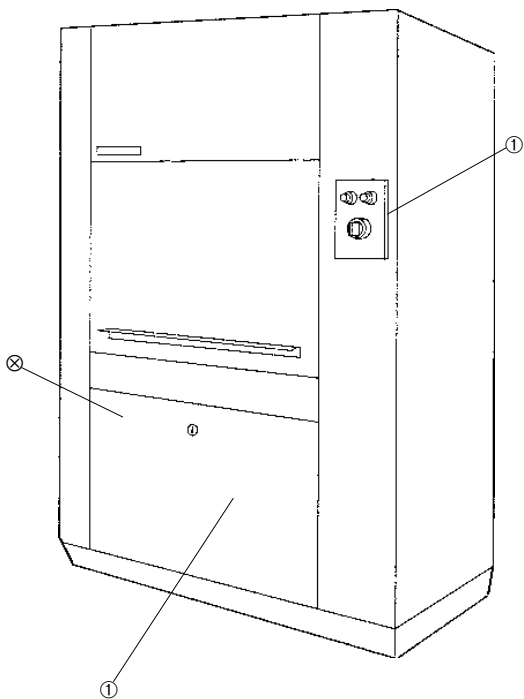


⊗ Model and Serial Number Tag

Reliance 150 Washer

	DESCRIPTION	PARTNUMBER
Expendables		
	Maintenance Manual	P-764323-116
	Equipment Manual	P-122990-597
	Lubricant	P-117950-599
Controls		
①	Kit, Repair, Water Level Switches	P-117950-026
	Switch, Water Level, Long	P-117950-024
	Switch, Water Level, Short	P-117950-025
	Bulb, High Temp. 75W	P-117954-606
	Microswitch, Door	P-117950-650
	Lamp, Detergent Light, Box of 10	P-117950-069
	Control, High Level	P-117957-441
	Switch, Power, ON/OFF	P-117950-257
	Supply, Power	P-117950-299
	Fuse, 2 Amp, 240V, Box of 10	P-764317-771
	Fuse, 6 Amp, 240V, Box of 5	P-117950-072
	Fuse, 5 Amp, 600V, Transformer	P-117951-589
	Timer, Detergent	P-117950-117
	Sensor, Detergent	P-117950-630
	Thermostat, Honeywell	P-117950-184
	Thermostat, Electronic	P-117951-328
	Kit, Water Level Replacement	P-117951-756
	Switch, Limit	P-117951-317
Plumbing		
②	Filter, Water, Inlet	P-117950-030
	Breaker, Vacuum (After S/N 3624890xxx)	P-117951-541
	Breaker, Vacuum (Before S/N 3624890xxx)	P-117950-215
	Valve, Check	P-117950-217
	Seal, Pump (Before S/N 3618890xxx)	P-117950-142
	Seal, Pump (After S/N 3618890xxx)	P-117951-518
	O-Ring, Pump	P-117950-145
	Kit, Repair, Diverter Valve	P-117950-226
	Solenoid, Diverter Valve	P-117950-228
	Strainer, 1"	P-117950-205
	Strainer, 1-1/2"	P-117950-192
	Screen, 1" Strainer	P-117950-206
	Kit, Repair, 1/2" Solenoid Valve	P-117950-174
	Kit, Repair, 1" Solenoid Valve	P-117950-212
	Trap, Steam	P-117950-198
	Screen, 1-1/2" Strainer	P-117950-194
	Kit, Repair, 1" Steam Valve	P-117951-000

For Parts Ordering: 1-800-333-8828

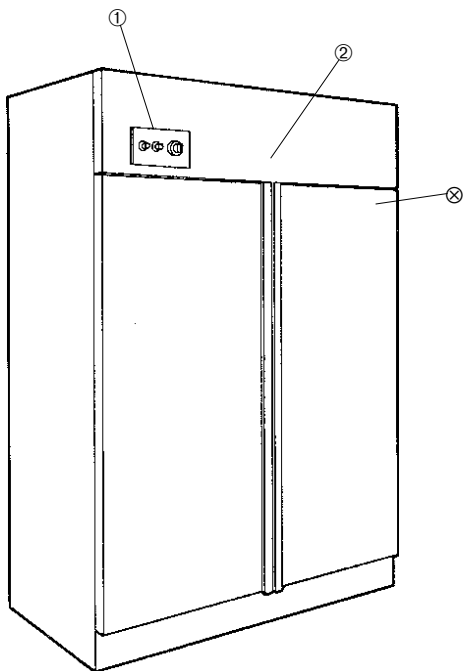


⊗ Model and Serial Number Tag

Reliance 475/575 Lab Dryer

	DESCRIPTION	PARTNUMBER
Expendables		
	Maintenance Manual	P-764323-124
	Equipment Manual	P-122990-605
Controls		
①	Lamp, Detergent Light, Box of 10	P-117950-069
	Switch, Power, ON/OFF	P-117950-257
	Block, Contact	P-117950-757
	Thermostat	P-117950-280
	Heater, Elec. Fin Type	P-117950-281
	Switch, Thermal	P-117950-330
	Heater, W-34	P-117950-102
	Heater, W-49	P-117950-259
	Heater, W-25	P-117950-100
	Fuse, 6 Amp, 240V, Box of 5	P-117950-072
	Fuse, 15Amp, 240V	P-117950-370
	Relay, Overload	P-117951-179
	Fuse, 20Amp, 240V	P-117950-779

For Parts Ordering: 1-800-333-8828



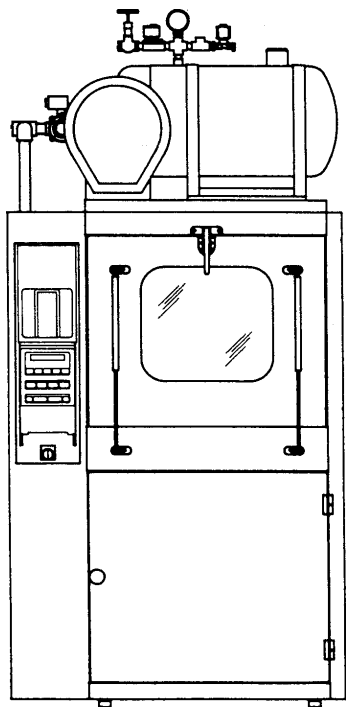
⊗ Model and Serial Number Tag

Reliance 1024/1034 Lab Dryer

	DESCRIPTION	PARTNUMBER
Expendables		
	Maintenance Manual	P-764323-294
	Equipment Manual	P-122990-607
	Gasket, Door 1024	P-117950-255
	Gasket, Door 1034	P-117950-256
Controls		
①	Lamp, Detergent Light, Box of 10	P-117950-069
	Switch, Power, ON/OFF	P-117950-257
	Block, Contact	P-117950-757
	Thermostat	P-117950-280
	Heater, Elec. Fin Type	P-117950-281
	Switch, Thermal	P-117950-330
	Heater, W-44	P-117950-101
	Fuse, 6 Amp, 240V, Box of 5	P-117950-072
	Fuse, 20 Amp, 240V	P-117950-498
	Relay, Overload	P-117950-097
	Fuse, 20 Amp, 240V	P-117950-779
	Filter, Air	P-117951-071
Plumbing		
②	Trap, 3/4" Steam (Optional)	P-117950-360
	Kit, Repair, 3/4" Steam Valve (Optional)	P-117950-361

Washing (Basil)

For Parts Ordering: 1-800-333-8828

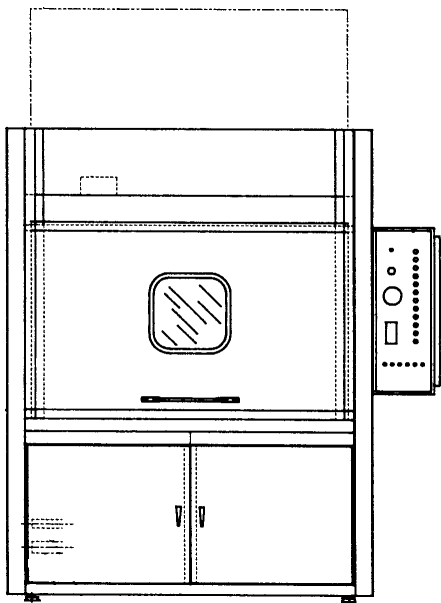


Basil Washing Equipment

3000 Betterbuilt Unit

DESCRIPTION	PARTNUMBER
Ceramic Stationary Seat	P-764324-535
D1022, 3x2x5, 184JP Frame Pump Seal, Treatment Pump	
Rotor Element	P-764324-533
D1022, 3x2x5, 184JP Frame Pump Seal, Treatment Pump	
Rebuild Kit, Jamesbury Ball	P-764324-449
Valve, 1", Power Drain	
Rebuild Kit, Jamesbury Ball Valve, 1-1/2",	P-764324-448
Mineral Free Rinse	
Rebuild Kit, Jamesbury Ball Valve, 3/4",	P-764324-451
Mineral Free Fill	
Rebuild Kit, Jamesbury Ball Valve, 2",	P-764324-450
Jet Valve	
Rebuild Kit, ASCO Solenoid Valve, 1",	P-764321-495
Sump Steam/Heat Exchanger	
Rebuild Kit, ASCO Solenoid Valve, 3/4",	P-764324-356
Hot Water Fill	
O-Ring, Transfer Coupling	P-764325-981
Rotating Spray Arbor	P-764325-982
Washer	P-117941-596
Screw	P-117941-595
Door Gasket, 8'	P-764324-393

For Parts Ordering: 1-800-333-8828

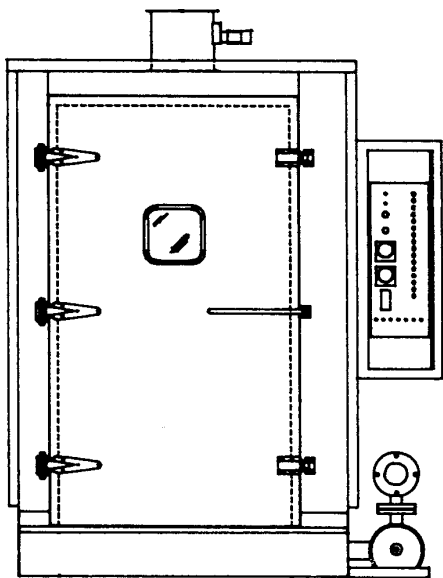


Basil Washing Equipment

Model 3500 Cage & Bottle Washer

DESCRIPTION	PARTNUMBER
Light Bulb, Indicator	P-764324-522
Ceramic Stationary Seat D824, 3x2x5,	P-764324-535
213JM Frame Pump Seal, Alk. Treatment Pump	
Rotor Element D824, 3x2x5, 213JM Frame	P-764325-983
Pump Seal, Alk. Treatment Pump	
Ceramic Stationary Seat D1022, 3x2x5,	P-764324-535
184JP Frame Pump Seal-Acid Treatment Pump	
Rotor Element D1022, 3x2x5, 184JP Frame	P-764324-533
Pump Seal-Acid Treatment Pump	
Rebuild Kit, Jamesbury Ball Valve, 1-1/2",	P-764324-448
Alk. JET Valve	
Rebuild Kit, Jamesbury Ball Valve, 1-1/2",	P-764324-448
Acid JET Valve	
Rebuild Kit, Jamesbury Ball Valve, 1", Alk. Drain	P-764324-449
Rebuild Kit, Jamesbury Ball Valve, 1", Acid Drain	P-764324-449
Browning Belt, 3L390	P-764324-362
Browning Belt, 3L310	P-764324-361
Browning Bearing, FB230-5/8	P-764324-360
Rebuild Kit, ASCO Solenoid Valve, 3/4",	P-764324-356
Hot Water Fill	
Rebuild Kit, ASCO Solenoid Valve, 1",	P-764321-495
Steam Valve	
Spray System Hose, 2" (ID) x 40" Long, per foot	R3500-981
Hose Clamp, Spray Hose, 2-1/4",	P-117950-673
Chromalox Heater (Electric Units), MTS-360A	
S/S Sheath	
Wheel	P-764324-518
Axle	P-764325-987
186888, 208V	P-764325-984
192102, 230V	P-764325-985
192110, 460V	P-764325-986
Window Gasket	P-764324-401

For Parts Ordering: 1-800-333-8828

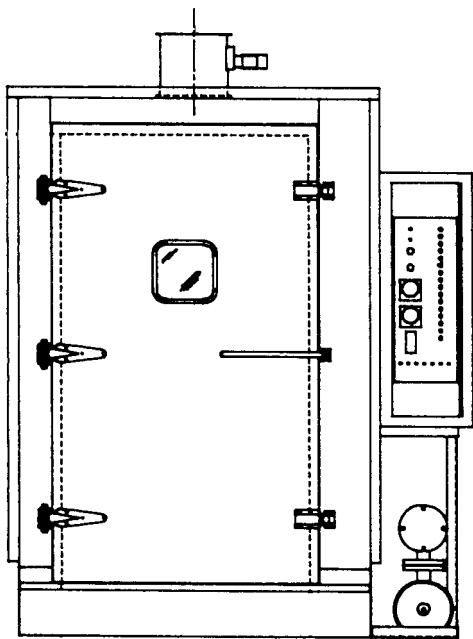


Basil Washing Equipment

RW4250 Cage & Rack Washer

DESCRIPTION	PARTNUMBER
Light Bulb, Indicator	P-764324-522
Ceramic Stationary Seat D1022, 3x2x6,	P-764324-536
215JP Frame	
Pump Seal-Acid Treatment Pump	
Rotor Element D1022, 3x2x6,	P-764324-534
215JP Frame Pump Seal, Acid Treatment Pump	
Rebuild Kit, Jamesbury Ball Valve, 2",	P-764324-450
Acid JET Valve	
Rebuild Kit, Jamesbury Ball Valve, 1",	P-764324-449
Acid Drain	
Repair Kit, ASCO Solenoid Valve, 1",	P-764324-355
Hot Water Fill	
Carriage Drive System, Wire Rope, S/S, 30"	R4006-011
Pump Suction Box, Hose 3-1/2" (ID) x 3" (Long)	R3500-983
Pump Suction Box, Clamp 3 3/4"	P-117950-792
Spray System Hose, 2 1/2" (ID) x 84" (Long)	P-764324-402
Spray System Hose, Clamp, 2-1/2"	P-150822-109
Drive Roller	P-117940-252
Carriage Roller	P-117940-651
Carriage Roller Axle	P-117940-648

For Parts Ordering: 1-800-333-8828



Basil Washing Equipment

Model 4600 Cage & Rack Washer

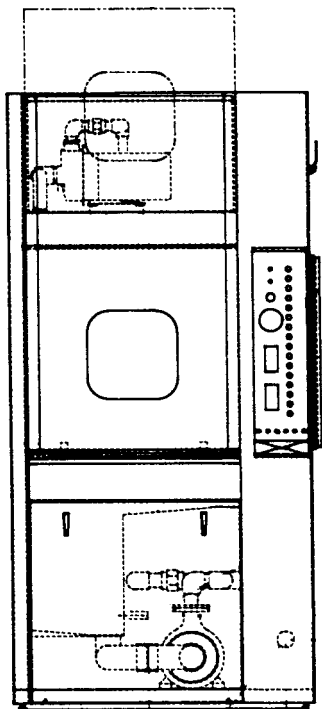
DESCRIPTION	PARTNUMBER
Light Bulb, Indicator	P-764324-522
Ceramic Stationary Seat D824, 3x2x5,	P-764324-535
215JM Frame Pump Seal-Alk. Treatment Pump	
Rotor Element D824, 3x2x5,	P-764325-983
215JM Frame Pump Seal-Alk. Treatment Pump	
Ceramic Stationary Seat D1022, 3x2x6,	P-764324-536
215JP Frame Pump Seal-Acid Treatment Pump	
Rotor Element D1022, 3x2x6,	P-764324-534
215JP Frame Pump Seal-Acid Treatment Pump	
Ceramic Stationary Seat D1022, 3x2x6,	P-764324-536
213JP Frame Pump Seal-Acid Treatment Pump	
Rotor Element D1022, 3x2x6,	P-764324-534
213JP Frame Pump Seal-Acid Treatment Pump	
Rebuild Kit, Jamesbury Ball Valve, 2",	P-764324-450
Alk./Acid Jet Valve	
Rebuild Kit, Jamesbury Ball Valve, 1",	P-764324-449
Alk. Drain/Acid Drain/Det. Ret.	
Rebuild Kit, Jamesbury Ball Valve, 1-1/2", Sump	P-764324-448
Rebuild Kit, Jamesbury Ball Valve, 1", Bottle Wash	P-764324-449
Option (Alk. OR Acid)	
Rubber Mating, Ramp Option 1/8 x 48 x 48	P-764325-989
Safety Tread	
Repair Kit, ASCO Solenoid Valve, 1",	P-764324-355
Hot Water Fill	
Repair Kit, ASCO Solenoid Valve, 3/4",	P-764324-356
Det. Tank Fill	
Repair Kit, ASCO Solenoid Valve, 1",	P-764321-495
Sump Steam (High Pressure Steam)	
Repair Kit, ASCO Solenoid Valve, 1-1/2",	P-764322-007
Sump Steam (Low Pressure Steam)	
Repair Kit, ASCO Solenoid Valve, 3/4",	P-101003-519
Det. Tank Steam	
Wire rope, Carriage Drive Sys. S/S, 3/16" Dia.	R4006-011
Water Hose, Pump Suction Box 3-1/2" IDx3" Long	R3500-983
Hose Clamp, Pump Suction Box 3 3/4" ID	P-117950-792
Hose, Spray System 2-1/2" ID x 84" Long	P-764324-402
Hose Clamp, Spray System 2-1/2" ID	P-150822-109
Door Gasket	R3000-335
Drive Roller	P-117940-252
Carriage Roller	P-117940-651
Carriage Roller Axle	P-117940-648

Basil Washing Equipment

4800 Automated Cart Washer

DESCRIPTION	PARTNUMBER
Rebuild Kit, Jamesbury Ball Valve, 2", Acid JET Valve	P-764324-450
Rebuild Kit, Jamesbury Ball Valve, 1", Acid Drain	P-764324-449
Repair Kit, ASCO Solenoid Valve, 1", Final Rinse Header	P-764324-355
Repair Kit, ASCO Solenoid Valve, 1", Sump Steam/Heat Exch.	P-764321-495
Repair Kit, ASCO Solenoid Valve, 3/4", Dryer Coil	P-101003-519
Wire rope, Carriage Drive Sys. 3-1/6" Dia.	R4006-011
Water Hose, Pump Suction Box 3-1/2" IDx3" Long	R3500-983
Hose Clamp, Pump Suction Box, 3-3/4" ID	P-117950-792
Hose, Spray System, 2-1/2" ID x 84" Long	P-764324-402
Hose Clamp, Spray System, 2 -1/2" ID	P-117950-673
Drive Roller	P-117940-252
Carriage Roller	P-117940-651
Carriage Roller Axle	P-117940-648

For Parts Ordering: 1-800-333-8828



Basil Washing Equipment

5000 Glassware Washer

DESCRIPTION	PARTNUMBER
Light Bulb, Indicator	P-764324-522
Ceramic Stationary Seat, D1022, 3x2x5,	P-764324-535
184JP Frame Pump Seal-Treatment Pump	
Rotor Element, D1022, 3x2x6,	P-764324-533
184JP Frame Pump Seal-Treatment Pump	
Ceramic Stationary Seat, D824, 3x2x5,	P-764324-535
184JM Frame Pump Seal-Treatment Pump	
Rotor Element, D824, 3x2x5,	P-764325-983
184JP Frame Pump Seal-Treatment Pump	
Rebuild Kit, Jamesbury Ball Valve, 1", Drain Valve	P-764324-449
Repair Kit, ASCO Solenoid Valve, 1", Sump Steam	P-764321-495
Repair Kit, ASCO Solenoid Valve, 1/4", Vapor	P-764325-990
Condenser	
Check Valve, S/S, Nickel Body, 1-1/2"	P-764324-524
Gas Springs, Ball & Clip, #9008, #9002	
• Ball	P-117942-061
• Clip	P-117942-434
Repair Kit, ASCO Solenoid Valve, 3/4", Hot Water	P-764324-356
O-Ring, Manifold Coupling	P-764325-992
Washer	P-117941-596
Screw	P-117941-595
Rotating Spray arbor	P-117941-129

Basil Washing Equipment

6007 Tunnel Cage Washer

DESCRIPTION	PARTNUMBER
Light Bulb, Indicator	P-764324-522
Ceramic Stationary Seat, D1022, 3x2x6,	P-764324-536
215JP Frame, 10HP, Wash Pump	
Motor Element, D1022, 3x2x6,	P-764324-534
215JP Frame, 10HP, Wash Pump PO2	
Ceramic Stationary Seat, D1022, 3x2x5,	P-764324-535
184JP Frame Pump Seal, Wash & Rinse Pump	
Rotor Element, D1022, 3x2x5,	P-764324-533
184JP Frame Pump Seal, Wash & Rinse Pump	
Pump Seal Assy, Seat and Rotor, D520, 2x1.5x4,	P-764325-993
56C Frame, 3HP, Rinse Pump	
Repair Kit, Jamesbury Ball Valve, 1",	P-764324-449
Self Cleaning Screen System	
Repair Kit, ASCO Solenoid Valve, 1",	P-764321-495
Wash, Rinse, Dryer & Heat Exchanger Steam	
Repair Kit, ASCO Solenoid Valve, 3/4",	P-764324-356
Wash, Rinse & Final Rinse Water Valves	
Door Gasket, 27 FT.-#RF-101	P-764324-393
Header O-Ring	P-764324-409
Gas Springs, Ball & Clip, 9008, 9002	
• Ball	P-117942-061
• Clip	P-117942-434

Two (2) Basket Bottle Wash Cart

DESCRIPTION	PARTNUMBER
Washer	P-117941-596
Screw	P-117941-595
Arbor	P-117941-129

Universal Wash Cart

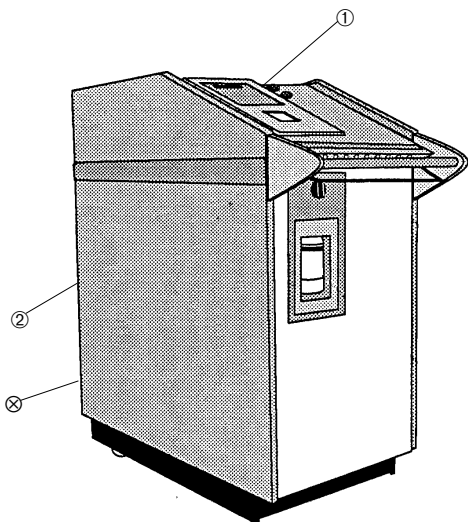
DESCRIPTION	PARTNUMBER
Jarvis & Jarvis S/S Caster	P-764325-979

Model 1000 Bottle Filler

DESCRIPTION	PARTNUMBER
Ball Valve, Watts 3/4"	P-764325-980

VHP Decontaminators

For Parts Ordering: 1-800-333-8828



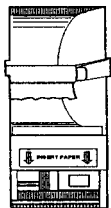
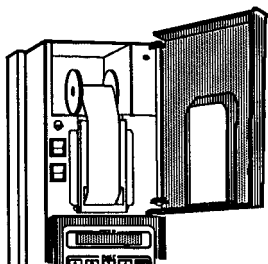
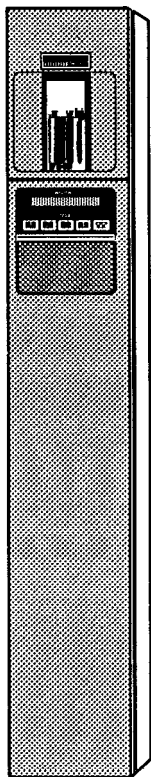
⊗ Model and Serial Number Tag

VHP 1000

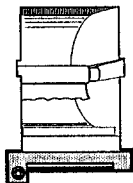
	DESCRIPTION	PARTNUMBER
Controls		
①	Circuit Board, Control	P-146655-356
	Circuit Board, Analog	P-136807-351
	Circuit Board, VHP Pressure	P-136808-062
	Circuit Board, Pressure/Level	P-136808-063
	Probe and Board, Humidity	P-129363-910
	Assembly, RTD, Probe	P-136808-098
	Circuit Board, Interface	P-146655-598
	Adapter, Power Supply	P-136807-699
	Fuse, 20A, 250 VAC, Slo-Blo	P-129363-088
	Balance, Electrical	P-129372-706
	Cord, Power	P-93912-130
	Circuit Board, Pump	P-136808-088
	Lamp, LT1 & LT2	P-129363-089
	Relay, Solid State	P-129363-098
	Relay, Solid State	P-129363-018
	Bandheater, Preheater 400W	P-93912-083
	Bandheater, Dryer Tank 600W	P-136808-053
	Bandheater, Vaporizer 900W	P-93912-085
	Power Supply	P-93910-541
Piping		
②	Filter, Particulate	P-93912-121
	Tubing, Silicone, .06" x 2.3'	R3500-020
	Tubing, Silicone, 1/8" x 7'	R3500-905
	Blower, Modified	P-146656-002
	HEPA Filter, High Temp	P-146656-214
	HEPA Filter, Low Temp	P-146656-214
	Gasket, HEPA Filter	P-146656-214
	Filter, Regenerate Input	P-136808-032
	Assembly, Needle, Injector	P-93912-095
	Adapter, Needle	P-93912-060
	Assembly, Valve, 2 Way V1	P-93912-125
	Assembly, Valve, 3 Way V2	P-93912-082
	Assembly, Valve, 2 Way V3	P-93912-081
	Assembly, Valve, 3 Way V8	P-93912-082
	Assembly, Valve, 1" NPT, V4 & 5	P-136808-048
	Kit, V4 & 5 Valve	P-136808-566
	Assembly, Valve, 1" NPT, V6 & 7	P-136808-106
	Motor, Ball Valve V6 & 7	P-136807-354

Miscellaneous

For Parts Ordering: 1-800-333-8828



THERMAL PRINTER



IMPACT PRINTER

Eagle 3000 Stage 3 Control — 3150, 3300

DESCRIPTION	PARTNUMBER
Control: Standard Vertical Column	
Power Supply (2 board control)	P-136810-006
Power Supply (single board control)	P-93910-541
PC (Printed Circuit) Board, Control (w/2K RAM)	P-146655-356
• EPROM* (Rev. X)	P-93913-XXX
• RAM (2K)	P-150828-625
• Triac	P-129360-770
PC (Printed Circuit) Board, Control (w/8K RAM**)	P-146655-819
• RAM (8K)	P-129362-145
PC (Printed Circuit) Board Connector	P-146655-357
• Fuse, 3 amp	P-764317-778
Touch Pad Panel	P-136806-685
Motor, Paper Take-up	P-93909-399
Fuse, Line Filter (5 amp)	P-764317-463
Line Filter	P-93910-584
If Thermal Printer Equipped	
Printer Assembly	P-93910-531
• Printer Only	P-755716-005
Paper (5 Rolls)	P-129359-008
Control Interface Board	P-146655-598
If Impact Printer Equipped	
Printer Assembly Before 1-96	
Printer Board Assembly, Impact	P-338517-170
• Printer Assembly w/Cable	P-338517-173
• Board Only (Epson Type)	P-338517-164
• Cartridge, Ink Printer	P-150828-440
• Paper, Single Ply, 3 Rolls	P-764324-057
• Paper, Double Ply, 3 Rolls	P-150828-420
Printer Assembly After 1-96	
Printer Board Assembly, Impact	P-93911-498
• Printer Only	P-93911-051
• Board Only	P-146656-182
• Cartridge, Ink Ribbon	P-150828-440
• Paper, Single Ply, 3 Rolls	P-764324-057
• Paper, Double Ply, 3 Rolls	P-150828-420
3000 SL Impact Printer	
Printer Board Assembly	P-93911-459
• Printer Only	P-93911-502
• Board Only	P-93911-561
• Cartridge, Ink Ribbon	P-150828-440
• Paper, Single Ply, 3 Rolls	P-129362-819
If PID Valve(s) or Thermocouples Equipped	
PID/Thermocouple Board	P-146655-766

*NOTE: When ordering P-93913-XXX, Rev. X, EPROMs refer to the part number on the label in the control column. If one control board is present, order one EPROM. If two control boards are present, order two EPROMs (part numbers may be different so check both EPROMs on the control boards).

**NOTE: The 8K RAM will fill all the pins in the socket (28 pins). The 2K RAM has only 24 pins.

SIZE	DOOR GASKET	DIAPHRAGM	GASKET- DIAPHRAGM	CLAMPING BARS			SCREW (QTY)
				TOP/BOTTOM	SIDE	CORNER	
Current Radial Arm Doors							
16 X 16	P-74367-091	P-7230-061	P-7753-091				
20 X 20	P-78767-091	P-7230-061	P-7753-091				
24 x 36	P-97487-091	P-7230-061	P-7753-091	38268-091	48254-091	48255-001	46705-061 (32)
36 x 42	P-55676-091	P-7230-061	P-7753-091	75239-091	75239-091	55679-057	75076-061 (38)
42 x 48	P-55677-091	P-7230-061	P-7753-091	75239-091	75236-091	55679-057	75076-061 (42)
48 x 54	P-55678-091	P-7230-061	P-7753-091	75236-091	75237-091	55679-057	75076-061 (46)
48 x 84	P-331996-091	P-52091-091	P-383451-091	331992-091	331532-091	48778-091	75076-061 (56)
62 x 66	P-54240-091	P-52091-091	P-383451-091	54256-091	54257-091	48778-091	75076-061 (54)
62 x 84	P-331008-091	P-52091-091	P-383451-091	54256-091	331532-091	48778-091	75076-061 (56)
Power Wedge Doors							
48 x 54	P-338517-644			331992-091	338517-644	48778-091	75076-061 (48)
48 x 66	P-333749-091			331992-091	54267-091	48778-091	75076-061 (50)
48 x 66	P-333749-091			331992-091	336017-001	48778-091	75076-061 (52)
48 x 84	P-336342-091			331992-091	336343-091	48778-091	75076-061 (56)
48 x 96	P-356254-818			331992-091	338518-202	48778-091	75076-061 (60)
62 x 66	P-336019-001			54256-091	336017-001	48778-091	75076-061 (54)
62 x 84	P-331008-091			54256-091	331532-091	48778-091	75076-061 (56)

Sterilizer Door Gasket Chart

For Parts Ordering: 1-800-333-8828

Sterilizer Door Gasket Chart (continued)

SIZE	DOOR GASKET	DIAPHRAGM	GASKET- DIAPHRAGM
Non-Current Radial Doors			
16 Dia	P-74369-091	P-7230-061	P-7753-091
20 Dia	P-74370-091	P-7230-061	P-7753-091
24 x 24 "BER"	P-74376-091	P-7230-061	P-7753-091
24 x 24 "ME-UME"	P-754877-091	P-7230-061	P-7753-091
24 x 36 "BER"	P-74377-091	P-7230-061	P-7753-091
24 x 36 "ME-UME"	P-74377-091	P-7230-061	P-7753-091
36 x 42 "BER"	P-74380-091	P-7230-061	P-7753-091
42 x 48 "BER"	P-74381-091	P-7230-061	P-7753-091
48 x 54 "BER"	P-74382-091	P-7230-061	P-7753-091
Spin-Bolt			
54 x 78	P-335730-091		

For Parts Ordering: 1-800-333-8828

Piping Parts
Worcester Pneumatic Valves & Repair Kits

Size NPT	Complete Valve Part #	Valve Cat #	Valve Only	Valve Repair Kit	Actuator Cat #	Actuator Only	Actuator Repair Kit
Valves — Cat #416PMSE - Brass Body - NPT Screwed Ends - 316 SS Ball/Stem							
Actuator Cat # __ H39 SN - Air to Open-Spring Return to Close							
1/4	P-338515-622	416PMSE	P-764326-832	P-764321-594	10H39SN	P-764323-689	P-764321-603
3/8	P-338515-623	416PMSE	P-764326-833	P-764321-593	10H39SN	P-764323-689	P-764321-603
1/2	P-338515-624	416PMSE	P-764326-834	P-764321-594	10H39SN	P-764323-689	P-764321-603
3/4	P-338515-625	416PMSE	P-764326-835	P-764321-595	10H39SN	P-764323-689	P-764321-603
1	P-338515-626	416PMSE	P-764326-836	P-764321-596	10H39SN	P-764323-689	P-764321-603
1-1/4	P-338516-615	416PMSE	P-764326-837		15H39SN		P-764327-711
1-1/2	P-338516-616	416PMSE	P-764326-838	P-764327-710	15H39SN		P-764327-711
2	P-338516-617	416PMSE	P-764326-839	P-764324-012	20H39SN		P-764324-004
Valves — Cat #416PMTE - Brass Body - Solder (Sweat) Ends - 316 SS Ball/Stem							
Actuator — Cat # __ H39 SN - Air to Open-Spring Return to Close							
1/4	P-338517-039	416PMTE	P-338517-046	P-764321-594	10H39SN	P-764323-689	P-764321-603
3/8	P-338517-040	416PMTE	P-338517-047	P-764321-593	10H39SN	P-764323-689	P-764321-603
1/2	P-338517-041	416PMTE	P-338517-048	P-764321-594	10H39SN	P-764323-689	P-764321-603
3/4	P-338517-042	416PMTE	P-338517-049	P-764321-595	10H39SN	P-764323-689	P-764321-603
1	P-338517-043	416PMTE	P-338517-050	P-764321-596	10H39SN	P-764323-689	P-764321-603
Valves — Cat #466PMSE - 316 SS Body - NPT Screwed Ends - 316 SS Ball/Stem							
Actuator — Cat # __ H39 SN - Air to Open-Spring Return to Close							
1/4	P-338516-304	466PMSE	P-764325-688	P-764321-594	10H39SN	P-764323-689	P-764321-603
3/8	P-338516-305	466PMSE	P-764325-689	P-764321-593	10H39SN	P-764323-689	P-764321-603
1/2	P-338516-306	466PMSE	P-764325-690	P-764321-594	10H39SN	P-764323-689	P-764321-603
3/4	P-338516-307	466PMSE	P-764325-691	P-764321-595	10H39SN	P-764323-689	P-764321-603
1	P-338516-308	466PMSE	P-764325-692	P-764321-596	10H39SN	P-764323-689	P-764321-603

**Worcester Pneumatic Valves & Repair Kits
(continued)**

Size NPT	Complete Valve Part #	Valve Cat #	Valve Only	Valve Repair Kit	Actuator Cat #	Actuator Only	Actuator Repair Kit
Valves — Cat #WK4466PMTc - 316 SS Body - Tri-Clamp Ends - 316 SS Ball/Stem							
Actuator — Cat #__39 SN - Air to Open-Spring Return to Close							
1/2	P-338517-076	WK4466PMTc	P-755716-248	P-764327-708	10H39SN	P-764323-689	P-764321-603
3/4	P-338517-077	WK4466PMTc	P-755716-249	P-764327-709	10H39SN	P-764323-689	P-764321-603
1	P-338517-078	WK4466PMTc	P-755716-250	P-764324-005	10H39SN	P-764323-689	P-764321-603
1-1/2	P-338517-079	WK4466PMTc	P-755716-251	P-764324-710	10H39SN		P-764327-711
2	P-338517-080	WK4466PMTc	P-755716-252	P-764342-012	10H39SN		P-764324-004
Valves — Cat #WK4466PMTc - 316 SS Body - Tri-Clamp Ends - 316 SS Ball/Stem							
Actuator — Cat #__39 SN - Air to Open-Spring Return to Close							
Limit Switch — ACCORD #WT2-10 - (2) SPDT Switches - NEMA IV							
1/2	P-338516-550	WK4466PMTc	P-755716-248	P-764327-708	10H39SN	P-764323-689	P-764321-603
3/4	P-338516-551	WK4466PMTc	P-755716-249	P-764327-709	10H39SN	P-764323-689	P-764321-603
1	P-338516-552	WK4466PMTc	P-755716-250	P-764324-005	10H39SN	P-764323-689	P-764321-603
1-1/2	P-338516-553	WK4466PMTc	P-755716-251	P-764324-710	10H39SN		P-764327-711
2	P-338516-554	WK4466PMTc	P-755716-252	P-764342-012	10H39SN		P-764324-004

Size NPT	Cv	Port Dia.	Valve Assembly*	Repair Kit**	Plug & Stem S/A (316SS)	I/P Positioner Complete	Airset w/gauge Complete
1	4.0	13/16"	338517-669	764325-552	764325-554	764325-555	764325-556
1	9.5	13/16"	338518-170	764325-552	764325-700	764325-555	764325-556
1-1/2	17.5	1-1/4"	338518-426	764327-683	764327-683	764325-555	764325-556

* Class 300 w/serrated raised face for mounting between flanges
All wetted parts are 316 SS - Braided teflon packing
Bauman Model No 32-24588S

** Repair Kit includes: Dual Packing Follower
Packing Set (Graphite - TFE)
Body Gasket (Graphite)
Actuator Gasket
Diaphragm
O-ring (Viton)
Seal Washer

Related Parts

Gasket - 1"	P-316732-091
Gasket - 1-1/2"	P-318634-091
Flange - 1" Bronze	P-328412-091
Flange - 1-1/2" Bronze	P-386110-091
Rod, Flange 1/2-13	P-387340-569
Nut, Hex 1/2-13	P-3101-091
Lockwasher 1/2	P-19681-045

Piping Parts Bauman (P.I.D.) Control Valves & Repair Parts

For Parts Ordering: 1-800-333-8828

**Piping Parts
2000 Series Burkert Valve
& Actuator Repair Kits**

STERIS

Valve P/N	Burkert #	Burkert Model #	Size
338521-026	454604F	2000-A-1/2-E-BZ-1/2-B-D-2-000	1/2" NPT
338521-027	454605G	2000-A-3/4-E-BZ-3/4-B-D-2-000	3/4" NPT
338521-028	454606H	2000-A-1-E-BZ-1-B-E-2-000	1" NPT
338521-029	454607A	2000-A-1 1/4-E-BZ-1 1/4-B-F-2-000	1-1/4" NPT
338521-030	454784T	2000-A-1 1/2-E-BZ-1 1/2-B-G-2-000	1-1/2" NPT
338521-031	454785U	2000-A-2-E-BZ-2-B-H-2-000	2" NPT
338521-032	454612W	2000-B-1/2-E-BZ-1/2-B-D-2-000	1/2" NPT
338521-033	454613X	2000-B-3/4-E-BZ-3/4-B-D-2-000	3/4" NPT
338521-034	454614Y	2000-B-1-E-BZ-1-B-E-2-000	1" NPT
338521-035	454615Z	2000-B-1 1/4-E-BZ-1 1/4-B-E-2-000	1-1/4" NPT
338521-036	454786V	2000-B-1 1/2-E-BZ-1 1/2-B-F-2-000	1-1/2" NPT
338521-037	454787W	2000-B-2-E-BZ-2-B-F-2-000	2" NPT
338521-038	454619D	2000-A-1/2-E-SS-1/2-C-D-2-000	1/2" NPT
338521-039	454620A	2000-A-3/4-E-SS-3/4-C-D-2-000	3/4" NPT
338521-040	454621X	2000-A-1-E-SS-1-C-E-2-000	1" NPT
338521-041	454622Y	2000-A-1 1/4-E-SS-1 1/4-C-F-2-000	1-1/4" NPT
338521-042	454788F	2000-A-1 1/2-E-SS-1 1/2-C-G-2-000	1-1/2" NPT
338521-043	454789G	2000-A-2-E-SS-2-C-H-2-000	2" NPT
338521-044	454597Q	2000-B-1/2-E-SS-1/2-C-D-2-000	1/2" NPT
338521-045	454598Z	2000-B-3/4-E-SS-3/4-C-D-2-000	3/4" NPT
338521-046	454599S	2000-B-1-E-SS-1-C-E-2-000	1" NPT
338521-047	454600P	2000-B-1 1/4-E-SS-1 1/4-C-F-2-000	1-1/4" NPT
338521-048	454790D	2000-B-1 1/2-E-SS-1 1/2-C-G-2-000	1-1/2" NPT
338521-049	454791S	2000-B-2-E-SS-2-C-H-2-000	2" NPT
338521-050	415077J	2000-B-013-E-VATC42-C-D-2-000	3/4" TC

Valve Repair Kit

Burkert #	STERIS P/N
010984N	764329-050
010986Q	764329-052
010988S	764329-053
011044P	764329-055
011046R	764329-057
011390T	764329-059
010984N	764329-050
010986Q	764329-052
010988S	764329-053
011044P	764329-055
011046R	764329-057
011390T	764329-059
011134E	764329-061
011171K	69900355F
011202T	69900365F
011208H	69900375F
011209A	69900385F
011241N	69900395F
011134E	764329-061
011171K	69900355F
011202T	69900365F
011202H	69900375F
011209A	69900385F
011214N	69900395F
011171K	69900355F

Actuator Repair Kit

Burkert #	STERIS P/N
011308D	764329-051
011308D	764329-051
011334N	764329-054
011366W	764329-056
007763H	764329-058
011368G	764329-060
011308D	764329-051
011308D	764329-051
011334N	764329-054
011334N	764329-054
011366W	764329-056
011366W	764329-056
011369H	764329-062
011369H	764329-062
011372U	764329-063
001902Y	764329-064
011386K	764329-065
011387L	764329-066
011369H	764329-062
011369H	764329-062
011372U	764329-063
011372U	764329-063
001902Y	764329-064
001902Y	764329-064
011369H	764329-062

(Continued on next page)

STERIS

Valve P/N	Burkert #	Burkert Model #	Size
338521-051	415078T	2000-B-025-E-VATC44-C-E-2-000	1" TC
338521-052	415079U	2000-B-032-E-VATC45-C-E-2-000	2" TC
338521-053	415080J	2000-B-040-E-VATC46-C-F-2-000	2" TC
338521-054	416215J	2000-A-13-E-VATC42-C-D-2-000	3/4" TC
338521-055	415072M	2000-A-25-E-VATC44-C-E-2-000	1" TC
338521-056	415073N	2000-A-32-E-VATC44-C-F-2-000	2" TC
338521-057	415074P	2000-A-40-E-VATC46-C-F-2-000	2" TC
66304125F	001130V	2000-A13E-RC-B*0-2-000	1/2" BSP
66304126F	001144X	2000-B13E-RC-B*0-2-000	1/2" BSP
66404125F	001131J	2000-A20E-RC-B*0-2-000	3/4" BSP
66404126F	001145Y	2000-B20E-RC-B*D-2-000	3/4" BSP
66504125F	007225W	2000-A25E-RC-B*E-2-000	1" BSP
66504126F	001481J	2000-B25E-RC-B*E-2-000	1" BSP
66604125F	001249Q	2000-A32E-RC-B*E-2-300	1-1/4" BSP
66604126F	001369Q	2000-B32E-RC-B*E-2-000	1-1/4" BSP
66704125F	001608R	2000-A40E-RC-8*F-2-300	1-1/2" BSP
66704126F	001594K	2000-B40E-RG-B*F-2-000	1-1/2" BSP
66804125F	001457Z	2000-A50E-RC-8*F-2-300	2" BSP
66804126F	001595L	2000-B50E-RC-B*F-2-000	2" BSP
66400050F	415071L	C-2000-A20E-VATC43-C*D*00-2	1" TC
66400051F	415077J	C-2000-B20E-VATC43-C*D*00-2	1" TC
66500029F	415072M	C-2000-A52E-VATC44-C*E*00-2	1-1/2" TC
66500030F	415078T	C-2000-B25E-VATC44-C*E*00-2	1-1/2" TC

Valve Repair Kit

Burkert #	STERIS P/N
011202T	69900365F
011208H	69900375F
011209A	69900385F
011171K	69900355F
011202T	69900365F
011208H	69900375F
011209A	69900385F
010984N	764329-050
010984N	764329-050
011171K	69900355F
011171K	69900355F
011202T	69900365F
011202T	69900365F
011208H	69900375F
011208H	69900375F
011209A	69900375F
011209A	69900375F
011214N	69900395F
011214N	69900395F
011171K	69900355F
011171K	69900355F
011202T	69900365F
011202T	69900365F

Acuator Repair Kit

Burkert #	STERIS P/N
011372U	764329-063
011372U	764329-063
033172U	764329-063
011369H	764329-062
011372U	764329-063
001902Y	764329-064
001902Y	764329-064
011308D	764239-051
011308D	764239-051
011308D	764329-051
011308D	764329-051
011372U	764329-063
011372U	764329-063
011372U	764329-063
011372U	764329-063
001902Y	764329-064
001902Y	764329-064
001902Y	764329-064
001902Y	764329-064
011369H	764329-062
011369H	764329-062
011372U	764329-063
011372U	764329-063

**2000 Series Burkert Valve
& Actuator Repair Kits (continued)**

For Parts Ordering: 1-800-333-8828

**2000 Series Burkert Valve
& Actuator Repair Kits (continued)**

STERIS

Valve P/N

Burkert #

Burkert Model #

Size

Valve Repair Kit

Burkert #

STERIS P/N

Actuator Repair Kit

Burkert #

STERIS P/N

66600024F	415073N	C-2000-A32E-VATC45-C*E*00-2	1-1/2" TC	011208H	69900375F	011372U	764329-063
66600025F	415079U	C-2000-B32E-VATC45-C*E*00-2	1-1/2" TC	011208H	69900375F	011372U	764329-063
66700037F	415074P	C-2000-A40E-VATC46-C*E*00-2	2" TC	011209A	69900385F	011372U	764329-063
66700038F	415080J	C-2000-B40E-VATC46-C*E*00-2	2" TC	011209A	69900385F	011372U	764329-063
66810030F	415075Q	C-2000-A50E-VATC47-C*E*00-2	2" TC	011214N	69900395F	011372U	764329-063
66810031F	415081F	C-2000-B50E-VATC47-C*E*00-2	2" TC	011214N	69900395F	011372U	764329-063

For Parts Ordering: 1-800-333-8828

Piping Parts

Jordan Pressure Regulating Valves

Pipe Size	Outlet Press	CV	Valve Part #	Repair Kit Part #
Model 60, Type: Sliding Gate				
Max Inlet Pressure: 300 psi				
Mat'l: Body - Bronze				
Spring Housing - Ductile Iron				
Seat - Jordanic - JIC				
Trim - SS/Brz				
3/8	4-30	1.6	P-338516-840	P-764326-157
3/8	15-60	1.6	P-338516-901	P-764326-157
3/8	40-105	1.6	P-338519-110	P-764326-157
1/2	2-20	2.5	P-338516-841	P-764326-158
1/2	20-60	2.5	P-338516-902	P-764326-158
1/2	35-160	2.5	P-338519-111	P-764346-158
3/4	2-20	4.4	P-338516-842	P-764325-553
3/4	20-60	4.4	P-338516-903	P-764325-553
3/4	35-160	4.4	P-338519-112	P-764326-553
1	10-30	6.4	P-338516-843	P-764326-159
1	20-55	6.4	P-338516-904	P-764326-159
1	30-95	6.4	P-338519-113	P-764326-159
1-1/4	10-30	9.5	P-338516-844	P-764326-160
1-1/4	20-55	9.5	P-338516-905	P-764326-160
1-1/4	30-95	9.5	P-338519-114	P-764326-160
1-1/2	10-25	15	P-338516-845	P-764325-926
1-1/2	20-50	15	P-338516-906	P-764325-926
1-1/2	60-160	15	P-338519-115	P-764325-926
2	10-25	25	P-338516-846	P-764326-161
2	20-50	25	P-338516-907	P-764326-161
2	60-160	25	P-338519-116	P-764326-161
2	40-100	25	P-755716-363	P-764326-161

Jordan Pressure Regulating Valves (continued)

Pipe Size	Outlet Press	CV	Valve Part #	Repair Kit* Part #
Model 60, Type: Sliding Gate				
Max Inlet Pressure: 300 psi				
Mat'l: Body - Stainless Steel				
Spring Housing - Ductile Iron				
Seat - Jordanic - JIC				
Trim - 316 Stainless Steel				
1/2	10-38	2.5	P-338519-587	P-764328-044
1/2	20-55	2.5	P-338520-392	P-764328-044
3/4	10-38	4.4	P-338519-588	P-764328-198
3/4	20-55	4.4	P-338520-393	P-764328-198
1	10-30	6.4	P-338519-589	P-764328-199
1	20-45	6.4	P-338520-394	P-764328-199
1-1/2	10-30	15	P-338519-590	P-764328-200
1-1/2	20-45	15	P-338520-395	P-764328-200
2	10-30	25	P-338519-591	P-764328-201
2	20-45	25	P-338516-907	P-764328-201

Model 601, Type: Sliding Gate

Max Inlet Pressure: 300 psi

Mat'l: Body - Bronze

Spring Housing - Ductile Iron

Seat - Jordanic - JIC

Trim - Stainless Steel 303

2	20-45	50	P-338518-771	P-764325-925
---	-------	----	--------------	--------------

* NOTE: Repair Kits include: (1) Seat Set
(1) Disc Pin
(1) Stem and Locknut
(1) Diaphragm

For Parts Ordering: 1-800-333-8828

Small and Medium Sterilizers Vacuum Breakers/Repair Kits

PRODUCT	Medallion Sterilizer	Eagle 2000 Sterilizer	Eagle 3000 Stage 2 Sterilizer	Eagle 3000 Stage 3 Sterilizer	Renaissance Sterilizer
Gravity - Small	1.	1.	4.	4.	4.
Gravity - Medium	1.	4.	4.	4.	4.
Vacumatic - Small	3.	2.	4.	4.	4.
Vacumatic - Medium	1.	2.	4.	4.	4.
Ethylene Oxide - Small	1.	4.			
Ethylene Oxide - Medium	1.	1.		2.	
Washer/Sterilizer	1.	4.	4.	4.	
Lab/Isothermal - Small	1.	1.		4.	
Lab/Isothermal - Medium	1.	4.		4.	

1. P-90233-091 3/8" NPT
• P-752477-091

2. P-77021-091 1/2" NPT *
• P-757815-091 (V370A) Sloan
• P-764323-984 (Zurn) N.L.A.
• P-764326-720 (38-103) Conbraco
• P-764329-949 (38-203) Conbraco

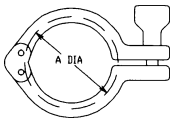
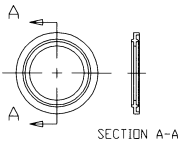
3. P-77022-091 3/8" NPT*
• P-751077-091 (V370A) Sloan
• P-764326-202 (38-102) Conbraco
• P-764329-948 (38-202) Conbraco

4. P-77023-091 3/4" NPT*
• P-752735-091 (370A) Sloan
• P-764323-804 (Zurn) N.L.A.
• P-764326-721 (38-104) Conbraco
• P-764329-950 (38-204) Conbraco

* Determine Manufacture Model Number of vacuum breaker to order proper repair kit.

Stainless Steel Tri-clamp Fittings

Size	Part No.	Catalog No.	Material
Gaskets			
1/2	338521-504	42MP-SFY-1/2	Viton
3/4	338521-505	42MP-SFY-3/4	Viton
1	338521-506	40MPF-SFY-1	Viton
1 1/2	338521-507	40MFY-SFY-1 1/2	Viton
2	338521-508	40MPF-SFY-2	Viton
2 1/2	338521-509	40MFP-SFY-2 1/2	Viton
3	338521-510	40MFP-SFY-3	Viton
4	764326-258	40MFP-SFY-4	Viton
1/2	338520-877	42MP-TE-1/2	TFE/Viton Envelope
3/4	338520-878	42MP-TE-3/4	TFE/Viton Envelope
1	338520-879	40MPF-TE-1	TFE/Viton Envelope
1 1/2	338520-880	40MPF-TE-1 1/2	TFE/Viton Envelope
2	338520-881	40MPF-TE-2	TFE/Viton Envelope
2 1/2	338520-882	40MPF-TE-2 1/2	TFE/Viton Envelope
3	338520-883	40MPF-TE-3	TFE/Viton Envelope
4	338520-884	40MPF-TE-4	TFE/Viton Envelope
Clamps			
		"A"	
1/2 & 3/4	338516-047	1.125	304 SS
1 & 1 1/2	338516-048	2.122	304 SS
2	338516-049	2.654	304 SS
2 1/2	338516-050	3.185	304 SS
3	338516-051	3.717	304 SS
4	338516-052	4.820	304 SS



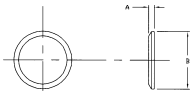
For Parts Ordering: 1-800-333-8828

Miscellaneous Category (continued)

Stainless Steel Tri-clamp Fittings (cont'd)

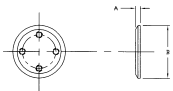
Size Part No. Catalog No. Material

Solid End Caps



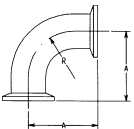
		"A"	"B"		
1/2 & 3/4	338516-075	.187	0.984	16AMP-3/4-316LSS	316LSS
1 & 1 1/2	338516-076	.250	1.984	16AMP-1 1/2-316LSS	316LSS
2	338516-077	.250	2.516	16AMP-2-316LSS	316LSS
2 1/2	338516-078	.250	3.047	16AMP-2 1/2-316LSS	316LSS
3	338516-079	.250	3.579	16AMP-3-316LSS	316LSS
4	338516-080	.312	4.682	16AMP-4-316LSS	316LSS

End Caps With Tapped Holes



		No of holes	Size of holes		
1 1/2	387340-959	1	1/8"NPT		316SS
1 1/2	387342-438	1	1/4"NPT		316SS
1 1/2	387342-028	1	1/8"NPT		316SS
2	387342-546	2	1/4"NPT		316SS
2	387340-582	6	1/8"NPT		316SS
3	387342-519	2	1/4"NPT		316SS
3	338517-979	6	1/8"NPT		316SS
3	338517-673	12	1/8"NPT		316SS

Elbows

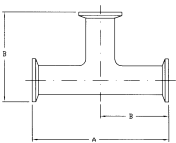
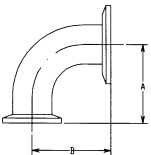


		"A"	"R"		
1/2	338516-001	1 1/4	3/4	2CMP-1/2-316LSS	316LSS
3/4	338516-002	1 5/8	1 1/8	2CMP-3/4-316LSS	316LSS
1	338516-003	2	1 5/16	2CMP-1-316LSS	316LSS
1 1/2	338516-004	2 3/4	2 5/32	2CMP-1 1/2-316LSS	316LSS

Miscellaneous Category (continued)

Stainless Steel Tri-clamp Fittings (cont'd)

Size	Part No.	Catalog No.		Material
Elbows (continued)				
		"A"	"R"	
2	338615-005	3 1/2	3	2CMP-2-316LSS
2 1/2	338516-006	4 1/4	3 3/4	2CMP-2 1/2-316LSS
3	338516-007	5	4 1/2	2CMP-3-316LSS
4	338516-008	6 5/8	6	2CMP-4-316LSS
Reducing Elbows				
		"A"	"B"	
2 x 1	338516-009	2	2	2CMP-31MP-2X1-316LSS
2 x 1 1/2	338516-010	2 3/4	2 3/4	2CMP-31MP-2X1 1/2-316LSS
2 1/2 x 2	338516-011	3 1/2	3 1/2	2CMP-31MP-2 1/2X2-316LSS
3 x 2	338516-012	3 1/2	3 1/2	2CMP-31MP-3X2-316LSS
3 x 2 1/2	338516-013	4 1/4	4 1/4	2CMP-31MP-3X2 1/2-316LSS
4 x 3	338516-014	5	5 1/8	2CMP-31MP-4X3-316LSS
Tees				
		"A"	"B"	
1/2	338516-023	2 5/8	5 1/4	7MP-1/2-316LSS
3/4	338516-024	2 5/8	5 1/4	7MP-3/4-316LSS
1	338516-025	2 3/8	4 3/4	7MP-1-316LSS
1 1/2	338516-026	2 3/4	5 1/2	7MP-1 1/2-316LSS
2	338516-027	3 1/2	7	7MP-2-316LSS
2 1/2	338516-028	3 1/2	7	7MP-2 1/2-316LSS
3	338516-029	3 3/4	7 1/2	7MP-3-316LSS
4	338516-030	4 1/2	9	7MP-4-316LSS

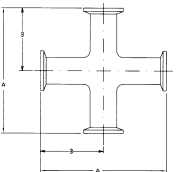


For Parts Ordering: 1-800-333-8828

Miscellaneous Category (continued)

Stainless Steel Tri-clamp Fittings (cont'd)

Size	Part No.	Catalog No.		Material
Crosses				
		"A"	"B"	
1/2	338516-039	2 5/8	5 1/4	316LSS
3/4	338516-040	2 5/8	5 1/4	316LSS
1	338516-041	2 3/8	4 3/4	316LSS
1 1/2	338516-042	2 3/4	5 1/2	316LSS
2	338516-043	3 1/2	7	316LSS
2 1/2	338516-044	3 1/2	7	316LSS
3	338516-045	3 3/4	7 1/2	316LSS
4	338516-046	4 1/2	9	316LSS



Miscellaneous Category (continued)

Conax Fittings

Size	Part No.	Body Material	Hole Size	Sealant Material	Conax Cat. No.
1/8"NPT	309712-061	303 SS	.093	Viton	MPG-093-A-V
1/8"NPT	380361-061	303 SS	.125	Viton	MPG-125-A-V
1/8"NPT	764328-192	303 SS	.187	Viton	MPG-187-A-V
1/4"NPT	150822-303	303 SS	.187	Neoprene	PG2-187-A-N
1/4"NPT	129356-134	303 SS	.250	Neoprene	PG2-250-A-N
1/4"NPT	387230-091	303 SS	.187	Viton	PG2-187-A-V
1/4"NPT	387347-305	303 SS	.250	Viton	PG2-250-A-V

Replacement Sealant

Part No.	For Use With	Hole Size	Sealant Material	Conax Cat. No.
764116-002	309712-061	.093	Viton	RS-MPG-093-V
764116-001	380361-061	.125	Viton	RS-MPG-125-V
764328-193	764328-192	.187	Viton	RS-MPG-187-V

Thermocouple

Type	Part No.	Cable Length	Sheath	Sheath Material
"T"	764319-340	20'		Teflon
"T"	764319-342	30'		Teflon
"T"	764319-342	40'		Teflon
"T"	387339-188	12'	.125 OD x 3" LG	304 SS
"T"	387339-189	12'	.125 OD x 6" LG	304 SS

Thermocouple Adapter

Size	Part No.	Number of Holes	Size of Holes	Material
1"NPT	309711-042	6	1/8"NPT	Bronze
1"NPT	387339-500	12	1/8"NPT	Bronze

Ladish Sanitary Schedule 40 SS Fittings

Size	Part No.	Catalog No.
Clamps		
3	763791-002	13MHVVM
Gasket		
3	763791-003	40MV-U
Solid End Cap		
3	763791-001	16AMV

Miscellaneous Category (continued)

Stainless Steel Tube Fittings

Size	Part No.	Material
Straight Compression		
1/4 ODT x 1/8 MNPT	129353-528	Stainless Steel
5/16 ODT x 1/8 MNPT	387342-329	Stainless Steel
5/16 ODT x 1/4 MNPT	387344-101	Stainless Steel
1/2 ODT x 3/8 MNPT	338520-166	Stainless Steel
1/2 ODT x 1/2 MNPT	338520-167	Stainless Steel
1/2 ODT x 3/4 MNPT	338520-168	Stainless Steel
5/8 ODT x 3/8 MNPT	338520-169	Stainless Steel
5/8 ODT x 1/2 MNPT	338520-170	Stainless Steel
5/8 ODT x 3/4 MNPT	338520-171	Stainless Steel
3/4 ODT x 1/2 MNPT	338520-172	Stainless Steel
3/4 ODT x 3/4 MNPT	338520-173	Stainless Steel
3/4 ODT x 1 MNPT	338520-174	Stainless Steel
1 ODT x 1/2 MNPT	338520-344	Stainless Steel
1 ODT x 3/4 MNPT	338520-345	Stainless Steel
1 ODT x 1 MNPT	338520-306	Stainless Steel
1 ODT x 1 MNPT	338520-916	Stainless Steel
1/4 ODT x 1/8 FNPT	338521-079	Stainless Steel
1/4 ODT x 1/4 FNPT	338521-080	Stainless Steel
1/4 ODT x 3/8 FNPT	338521-081	Stainless Steel
1/4 ODT x 1/2 FNPT	338521-082	Stainless Steel
1/2 ODT x 1/4 FNPT	338521-083	Stainless Steel
1/2 ODT x 3/8 FNPT	338521-084	Stainless Steel
1/2 ODT x 1/2 FNPT	338521-085	Stainless Steel
1/2 ODT x 3/4 FNPT	338521-086	Stainless Steel
3/4 ODT x 1/2 FNPT	338521-087	Stainless Steel
3/4 ODT x 3/4 FNPT	338521-088	Stainless Steel
1 ODT x 3/4 FNPT	338521-089	Stainless Steel
1 ODT x 1 FNPT	338521-090	Stainless Steel
Elbows		
1/2 ODT x 1/2 ODT	338520-613	Stainless Steel
3/4 ODT x 3/4 ODT	338520-135	Stainless Steel
1 ODT x 1 ODT	338520-304	Stainless Steel
5/16 ODT x 1/4 MNPT	129361-396	Stainless Steel
1/2 ODT x 3/8 MNPT	338521-495	Stainless Steel
1/2 ODT x 1/2 MNPT	338520-243	Stainless Steel
3/4 ODT x 1/2 MNPT	338520-244	Stainless Steel
3/4 ODT x 3/4 MNPT	338520-245	Stainless Steel
1 ODT x 3/4 MNPT	338520-246	Stainless Steel
1 ODT x 1 MNPT	338521-349	Stainless Steel

Miscellaneous Category (continued)

Stainless Steel Tube Fittings (cont'd)

Size	Part No.	Material
Elbows (continued)		
1/2 ODT x 1/2 FNPT	338520-604	Stainless Steel
3/4 ODT x 1/2 FNPT	338520-605	Stainless Steel
3/4 ODT x 3/4 FNPT	338520-606	Stainless Steel
1 ODT x 3/4 FNPT	338521-060	Stainless Steel
1 ODT x 1 FNPT	338521-061	Stainless Steel
Cross		
1/2 ODT	338520-607	Stainless Steel
3/4 ODT	338520-608	Stainless Steel
1 ODT	338520-609	Stainless Steel
Tees		
5/16 ODT x 5/16 ODT x 5/16 ODT	338521-062	Stainless Steel
1/2 ODT x 1/2 ODT x 1/2 ODT	338520-612	Stainless Steel
3/4 ODT x 3/4 ODT x 3/4 ODT	338520-134	Stainless Steel
1 ODT x 1 ODT x 1 ODT	338520-305	Stainless Steel
1/2 ODT x 1/2 ODT x 1/2 FNPT	338520-611	Stainless Steel
3/4 ODT x 3/4 ODT x 3/4 FNPT	338520-248	Stainless Steel
1 ODT x 1 ODT x 1 FNPT	338520-249	Stainless Steel
1 ODT x 1 ODT x 3/4 FNPT	338520-250	Stainless Steel
1/2 ODT x 1/2 FNPT x 1/2 ODT	338520-610	Stainless Steel
Adaptors		
1/2 MODT x 1/4 MNPT	387345-344	Stainless Steel
1/2 MODT x 3/8 MNPT	338520-127	Stainless Steel
1/2 MODT x 1/2 MNPT	338520-128	Stainless Steel
5/8 MODT x 1/2 MNPT	338520-129	Stainless Steel
3/4 MODT x 1/2 MNPT	338520-130	Stainless Steel
3/4 MODT x 3/4 MNPT	338520-131	Stainless Steel
1 MODT x 3/4 MNPT	338520-132	Stainless Steel
1 MODT x 1 MNPT	387345-345	Stainless Steel
1/2 MODT x 1/4 FNPT	387344-750	Stainless Steel
1/2 MODT x 3/8 FNPT	338520-156	Stainless Steel
1/2 MODT x 1/2 FNPT	338520-157	Stainless Steel
5/8 MODT x 1/2 FNPT	338520-158	Stainless Steel
3/4 MODT x 1/2 FNPT	338520-159	Stainless Steel
3/4 MODT x 3/4 FNPT	338520-160	Stainless Steel
3/4 MODT x 1 FNPT	338520-161	Stainless Steel
1 MODT x 3/4 FNPT	338520-162	Stainless Steel
Reducers		
1/4 ODT x 5/16 MODT	338521-385	Stainless Steel
1/4 ODT x 1/2 MODT	338521-386	Stainless Steel
1/4 ODT x 3/4 MODT	338521-387	Stainless Steel
5/15 ODT x 1/2 MODT	338521-388	Stainless Steel
1/2 ODT x 1/4 MODT	338521-389	Stainless Steel
1/2 ODT x 3/4 MODT	338521-390	Stainless Steel
1/2 ODT x 1 MODT	338521-391	Stainless Steel
3/4 ODT x 1/2 MODT	338521-392	Stainless Steel
3/4 ODT x 1 MODT	338521-393	Stainless Steel

Miscellaneous Category (continued)

Stainless Steel/Brass Tube Fittings

Size	Part No.	Material
Union, Reducing		
1/4 ODT x 1/8 ODT	338521-093	Stainless Steel
1/4 ODT x 3/16 ODT	338521-094	Stainless Steel
5/16 ODT x 1/8 ODT	338521-095	Stainless Steel
5/16 ODT x 1/4 ODT	338521-096	Stainless Steel
3/8 ODT x 1/8 ODT	338521-097	Stainless Steel
3/8 ODT x 1/4 ODT	338521-098	Stainless Steel
3/8 ODT x 5/16 ODT	338521-099	Stainless Steel
1/2 ODT x 1/8 ODT	338521-100	Stainless Steel
1/2 ODT x 1/4 ODT	338521-101	Stainless Steel
1/2 ODT x 3/8 ODT	338521-102	Stainless Steel
5/8 ODT x 3/8 ODT	338521-103	Stainless Steel
5/8 ODT x 1/2 ODT	338521-104	Stainless Steel
3/4 ODT x 1/4 ODT	338521-105	Stainless Steel
3/4 ODT x 3/8 ODT	338521-106	Stainless Steel
3/4 ODT x 1/2 ODT	338521-107	Stainless Steel
3/4 ODT x 5/8 ODT	338521-108	Stainless Steel
1 ODT x 1/2 ODT	338521-109	Stainless Steel
1 ODT x 3/4 ODT	338521-110	Stainless Steel
Union, Bulkhead		
1/4 ODT	338520-820	Stainless Steel
3/8 ODT	338520-821	Stainless Steel
1/2 ODT	338520-822	Stainless Steel
5/8 ODT	338520-823	Stainless Steel
3/4 ODT	338520-824	Stainless Steel
1 ODT	338520-825	Stainless Steel
Pneumatic Fittings		
-Straight		
1/4 ODT x 1/8 NPT	387345-310	Brass
1/4 ODT x 1/4 NPT	387345-311	Brass
-Male Elbow		
1/4 ODT x 1/8 NPT	387345-312	Brass
1/4 ODT x 1/4 NPT	387345-313	Brass
-Swivel Male Run Tee		
1/4 ODT x 1/8 NPT x 1/4 ODT	387345-314	Brass
1/4 ODT x 1/4 NPT x 1/4 ODT	387345-315	Brass
Miscellaneous		
Plug, 3/4 ODT	387342-569	Stainless Steel
Adaptor NPT to ISO Parallel-1/8 to 1 1/2	387343-364/371	
RS Fitting Gasket	387345-030/033	
RS Fitting Gasket	387345-034	

Miscellaneous Category (continued)

Stainless Steel Tubing

Size	Part No.	Material
3/4 ODT x .049 Wall, 5 FT Lgnth	338520-275	316L SS
3/4 ODT x .049 Wall, 2 FT Lgnth	338520-277	316L SS
1 ODT x .065 Wall, 5 FT Lgnth	338520-320	316L SS
1/4 ODT x .035 Wall	R2615-125	304 SS
5/16 ODT x .035 Wall	R2615-190	304 SS
3/8 ODT x .035 Wall	R2615-126	316 SS
1/2 ODT x .035 Wall	R2615-315	316 SS
3/4 ODT x .049 Wall	R2615-490	316 SS
1 ODT x .065 Wall	R2615-521	316L SS

Property of:

IN-HOUSE STERIS EQUIPMENT

<i>LOCATION</i>	<i>TYPE / MODEL</i>	<i>SERIAL NO.</i>
1		
2		
3		
4		
5		
6		
7		
8		
9		
10		
11		
12		
13		
14		
15		
16		

STERIS®



2424 West 23rd Street
Erie, PA 16505

P-764325-753R2 GP 8/01